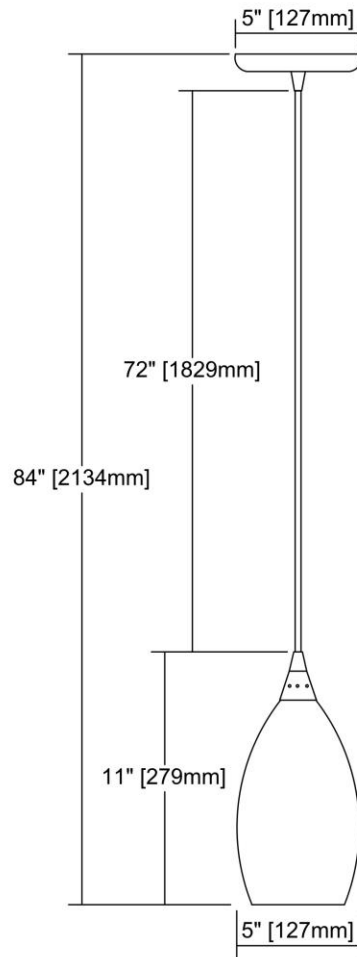
	ITEM #:	10510/1SND
	UPC	748119096964
	Description	Earth 1-Light Mini Pendant in Satin Nickel with Textured Sand Glass
	Finish	Satin Nickel
	Materials	Glass, Metal
	Brand	ELK Lighting
	Collection	Earth
	Category	Indoor Lighting
	Type	Mini Pendant

ITEM DIMENSIONS				RATINGS & SPECIFICATIONS				
Width	5 inches			Safety Rating	UL		Certification	N/A
Depth	5 inches			ADA Compliant	N/A		Voltage	N/A
Height	11 inches			BULBS / SOCKETS				
Weight	2 pounds			Quantity	1		Wattage	60 watts
ADDITIONAL DIMENSIONS				Included	No		Type	A19 (E26 Medium Base)
Backplate / Canopy	5x5			Other	N/A			
HCWO	N/A			CHAIN / CORD INFORMATION				
Min. Extension	N/A			Chain	N/A		Cord	N/A
Max. Extension	N/A			SHADE / GLASS DETAILS				
OVERALL HEIGHT				Shade/Glass Description	Textured Sand Glass Shade			
Min.	N/A		Max.	N/A				
EXTENSION ROD(S)				Width	N/A		Height	N/A
N/A				Width at Top	N/A		Width at Bottom	N/A



Rev. 5/9/2019