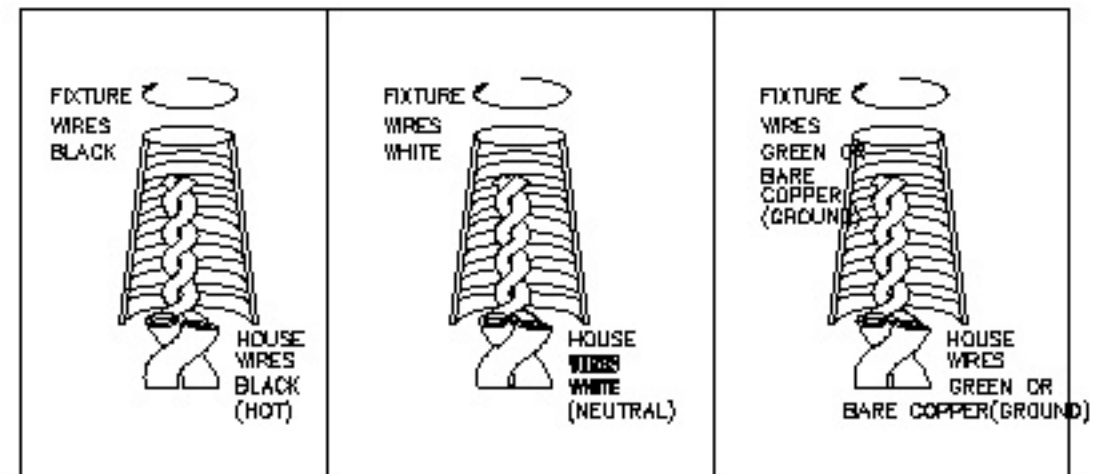
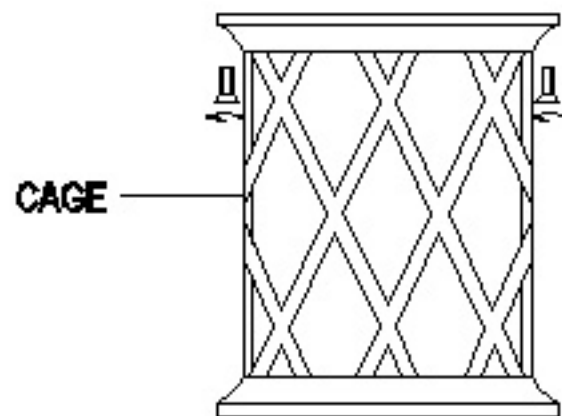


**BULB INSTALLATION OR REPLACEMENT**

1. REMOVE THE CAGE AFTER RELEASE THE SCREWS.
2. INSTALL BULBS.
3. REPLACE THE CAGE THEN TIGHTEN WITH SCREWS.



**42036/1**

**WALL MOUNT**