
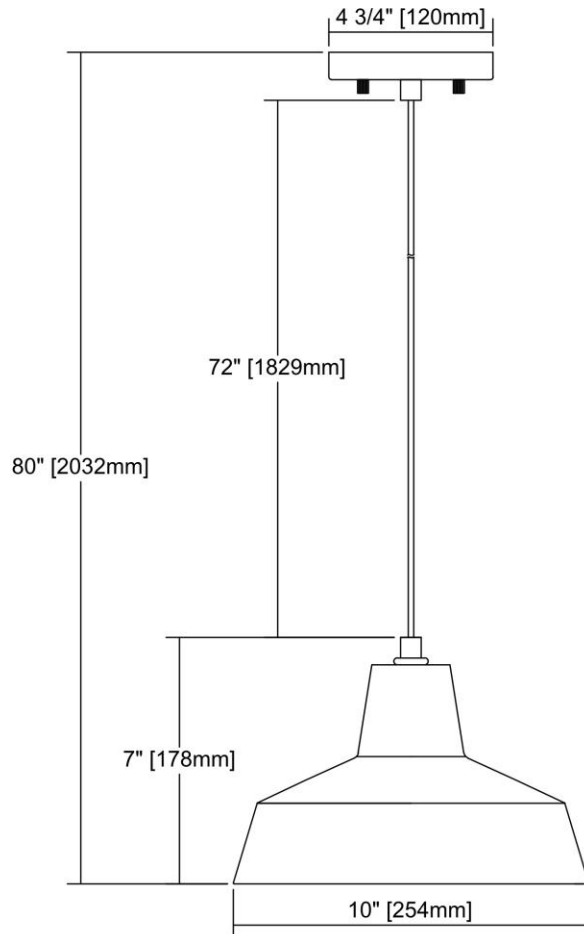


| | | |
|---|--------------------|---|
|  | ITEM #: | 45332/1-LED |
| | UPC | 748119105642 |
| | Description | Urban Form 1-Light Mini Pendant in Black Nickel with Natural Concrete Shade - Includes LED Bulb |
| | Finish | Black Nickel |
| | Materials | Concrete, Metal |
| | Brand | ELK Lighting |
| | Collection | Urban Form |
| | Category | Indoor Lighting |
| | Type | Mini Pendant |

| ITEM DIMENSIONS | | | | RATINGS & SPECIFICATIONS | | | | |
|------------------------------|-----------|-------------|-----|---------------------------------|------------------|----------------|------------------------|---------------------------|
| Width | 10 inches | | | Safety Rating | UL | | Certification | N/A |
| Depth | 10 inches | | | ADA Compliant | N/A | | Voltage | N/A |
| Height | 7 inches | | | BULBS / SOCKETS | | | | |
| Weight | 7 pounds | | | Quantity | 1 | Wattage | 9.5 watts | |
| ADDITIONAL DIMENSIONS | | | | Included | Yes | | Type | A19 LED (E26 Medium Base) |
| Backplate / Canopy | N/A | | | Other | N/A | | | |
| HCWO | N/A | | | CHAIN / CORD INFORMATION | | | | |
| Min. Extension | N/A | | | Chain | N/A | | Cord | N/A |
| Max. Extension | N/A | | | SHADE / GLASS DETAILS | | | | |
| OVERALL HEIGHT | | | | Shade/Glass Description | Natural Concrete | | | |
| Min. | N/A | Max. | N/A | | | | | |
| EXTENSION ROD(S) | | | | Width | N/A | | Height | N/A |
| N/A | | | | Width at Top | N/A | | Width at Bottom | N/A |



Rev. 5/9/2019