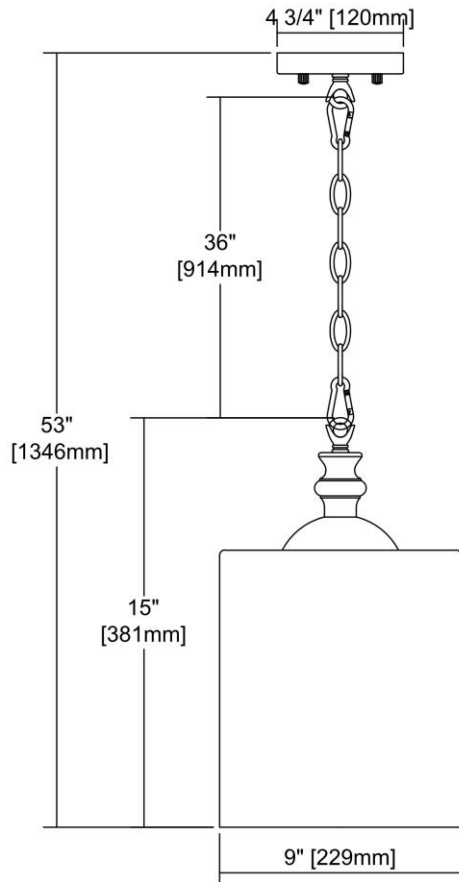




| | |
|--------------------|-------------------------------------------------------------|
| ITEM #: | 46221/1 |
| UPC | 748119087665 |
| Description | Bergen 1-Light Mini Pendant in Matte Black with Clear Glass |
| Finish | Matte Black |
| Materials | Glass, Metal |
| Brand | ELK Lighting |
| Collection | Bergen |
| Category | Indoor Lighting |
| Type | Mini Pendant |

| ITEM DIMENSIONS | | | | RATINGS & SPECIFICATIONS | | | | |
|---------------------------|-----------|--|-------------|--------------------------------|-------------------|--|------------------------|-----------------------|
| Width | 9 inches | | | Safety Rating | UL | | Certification | N/A |
| Depth | 9 inches | | | ADA Compliant | N/A | | Voltage | N/A |
| Height | 15 inches | | | BULBS / SOCKETS | | | | |
| Weight | 4 pounds | | | Quantity | 1 | | Wattage | 100 watts |
| ADDITIONAL DIMENSIONS | | | | Included | No | | Type | A19 (E26 Medium Base) |
| Backplate / Canopy | 4.75x4.75 | | | Other | N/A | | | |
| HCWO | N/A | | | CHAIN / CORD INFORMATION | | | | |
| Min. Extension | N/A | | | Chain | N/A | | Cord | N/A |
| Max. Extension | N/A | | | SHADE / GLASS DETAILS | | | | |
| OVERALL HEIGHT | | | | Shade/Glass Description | Clear Glass Shade | | | |
| Min. | N/A | | Max. | N/A | | | | |
| EXTENSION ROD(S) | | | | Width | 9 inches | | Height | N/A |
| N/A | | | | Width at Top | N/A | | Width at Bottom | N/A |



Rev. 5/9/2019