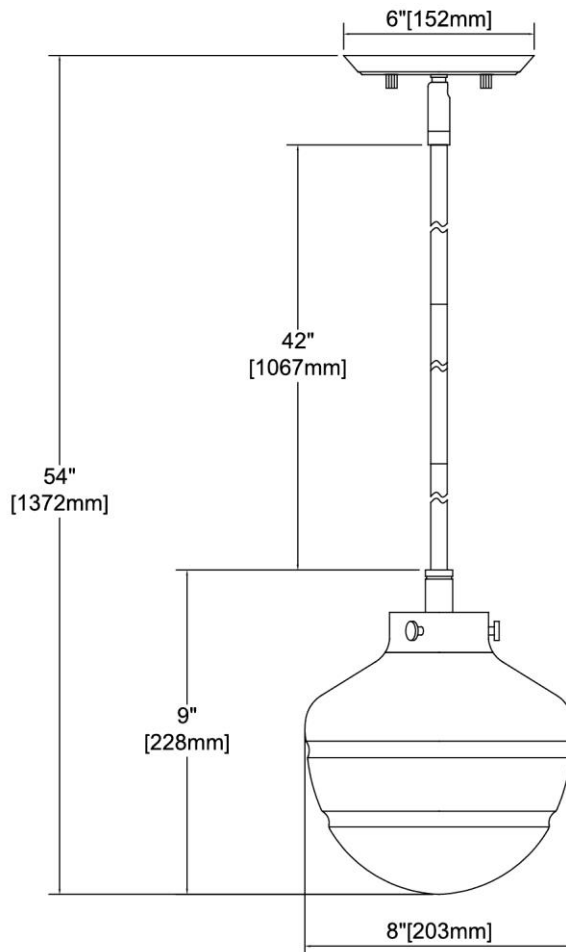
	ITEM #:	46555/1
	UPC	748119133836
	Description	Manhattan Boutique 1-Light Mini Pendant in Brushed Brass with Clear
	Finish	Brushed Brass
	Materials	Glass, Steel
	Brand	ELK Lighting
	Collection	Manhattan Boutique
	Category	Indoor Lighting
	Type	Mini Pendant

ITEM DIMENSIONS				RATINGS & SPECIFICATIONS				
Width	8 inches			Safety Rating	ETL		Certification	Dry locations
Depth	8 inches			ADA Compliant	N/A		Voltage	120
Height	9 inches			BULBS / SOCKETS				
Weight	3 pounds			Quantity	1	Wattage	60 watts	
ADDITIONAL DIMENSIONS				Included	No		Type	A19 (E26 Medium Base)
Backplate / Canopy	6 diameter			Other	N/A			
HCWO	N/A			CHAIN / CORD INFORMATION				
Min. Extension	N/A			Chain	N/A		Cord	72 inches
Max. Extension	N/A			SHADE / GLASS DETAILS				
OVERALL HEIGHT				Shade/Glass Description	Clear			
Min.	18 inches	Max.	54 inches					
EXTENSION ROD(S)				Width	8 inches		Height	8 inches
Rods: 1-6, 3-12				Width at Top	N/A		Width at Bottom	N/A



Rev. 5/13/2019