

CAUTION

1. Rated 110-120/60Hz, bulb E12 (4) 60W MAX.
2. Care should be taken to avoid damage to the surface of Fixture and Wires, wearing gloves are recommended when installing.
3. Connect black or red wire of the lighting to live wire while white or blue wire to neutral wire and double colored (or bare copper) wire to ground wire.
4. Never install lighting on a damp ceiling, the room should be dry and well ventilated.
5. Installation must be carried out by qualified electrician only.
6. Disconnect the power before installing, cleaning and replacing lighting.
7. Never cover the lighting when power is connected.
8. Firmness must be secured when installing ceiling tube, chain, pipe and other connecting parts.
9. Care should be taken to avoid damage when installing glass parts.
10. If the external flexible cable or cord of this luminaire is damaged, it shall be exclusively replaced by the manufacturer or his service agent or a similar qualified person in order to avoid a hazard.

CLEANING

Use only soft cloth to dust and clean. You may use warm water and mild soap.
NEVER use chemicals or abrasive cleaners as it may damage finish.

Norwell | Lighting

INSTRUCTION

Fixture#: 1080

Description: Small Cage Pendant -

READ & SAVE THESE INSTRUCTIONS

INSTALLATION & OPERATION INSTRUCTIONS

TOOLS & MATERIALS REQUIRED: Screwdriver, Adjustable Wrench, Ladder, Wire Cutter
(Wiring supplies as required by electrical code)

GENERAL

1. To ensure the success of the installation, be sure to read these instructions carefully before beginning.
2. All electrical connections must be in accordance with the National Electrical Code, qualified licensed electricians are required to conduct the installation of electrical wiring.
3. The outlet box that is connected to the lighting must be directly supported by the building structure.
4. Before starting the installation, disconnect the power to prevent electrical shock.

NOTE: The important safeguards and instructions appearing in this manual are not meant to cover all possible conditions and situations that may occur. It must be understood that common sense, caution, and care are factors which can not be built into any product. These factors must be applied by the persons(s) caring for and operating the fixture.

UNPACK THE FIXTURE

Check the contents of the box. You should receive: Hardware package, Lampholder(s), Mounting block, Shade(s) - not provided on all models. Shade attachment screws (3 for each shade)-not provided on all models.

PREPARE INSTALLATION

1. First, turn off electricity and adjust the mounting block (or mounting tube) and attach it to the ceiling tightly, expose the supply wiring from the outlet box. Fix the mounting block with self-tapping screws provided for one models.
2. Attach grounding wire from the supply circuit to the mounting block with the green grounding attachment screw provided. Some models have a grounding wire attached to the fixture directly.
3. Make electrical connections-SEE BELOW.

WIRE CONNECTION

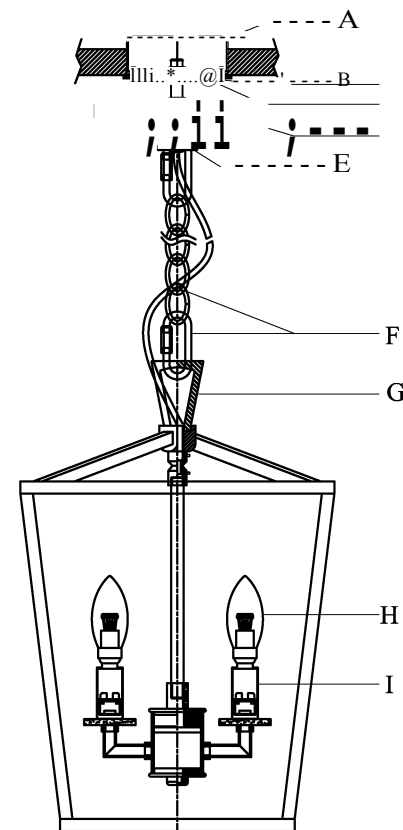
Connect the white or blue wire(s) from the fixture to the white or blue wire(s) [neutral wire(s)] of the supply circuit. Connect the black or red wire(s) from the fixture to the black or red wire(s) [live wire(s)] of the supply circuit. Connect the green (or bare copper) wire to the grounding conductor (grounding wire) of the supply circuit. If your fixture is supplied with an SPT Cord, connect the half of the SPT Cord that in ribbed surface to the white wire of the supply circuit. Connect the smooth half of the wire (the half with markings) to the black wire of the supply circuit. Use U.L. Listed wire connectors suitable for the size, type, and number of conductors. No loose strands or loose wires should be present. Secure wire connectors with U.L. Listed electrical tape. See diagram of wire connection.

INSTALLATION

1. First, turn off electricity and attach the mounting block or mounting pipe to the ceiling tightly, and then make wire connection.
2. Attach the lighting to mounting surface (wall or ceiling) by nut or machine screw.
3. Install bulb(s). Install shade(s) first if provided and then screw bulb(s) into all socket(s), care should be taken to avoid damage of the shade(s) when glass shade(s) are provided.
4. Outdoor wall fixture must be caulked with suitable RTV or Silicone compound around the top and sides of the cover plate to reduce the chance of water intruding into the splicing area. Leave the bottom clear to allow moisture a means of escape.
5. Restore electricity and check the operation of the lighting fixture.

CAUTION: Refer to the label located near the lampholder for recommended maximum wattage-do not exceed recommended wattage.

Norwell Lighting



- (A) J-box
- (B) Screw
- (C) Cross bar
- (D) Canopy
- (E) Thread tube
- (F) Chain & quick link
- (G) Lamp body
- (H) Bulbs
- (I) Socket

Assembly Instruction:

1. Locking the (F) Chain & quick link to the cross bar (C) with screw (A)
2. locking the Cross bar (C) to the J-box (A) with screw (B)
3. Tie the bulbs (H) to the socket (I), and test the bulbs
4. Fasten lamp body (G) to the chain & quick link (F) adjusted the height
5. Fixing the canopy (D) to the ceiling with thread tube (E)
6. Finished installing and turn on the power