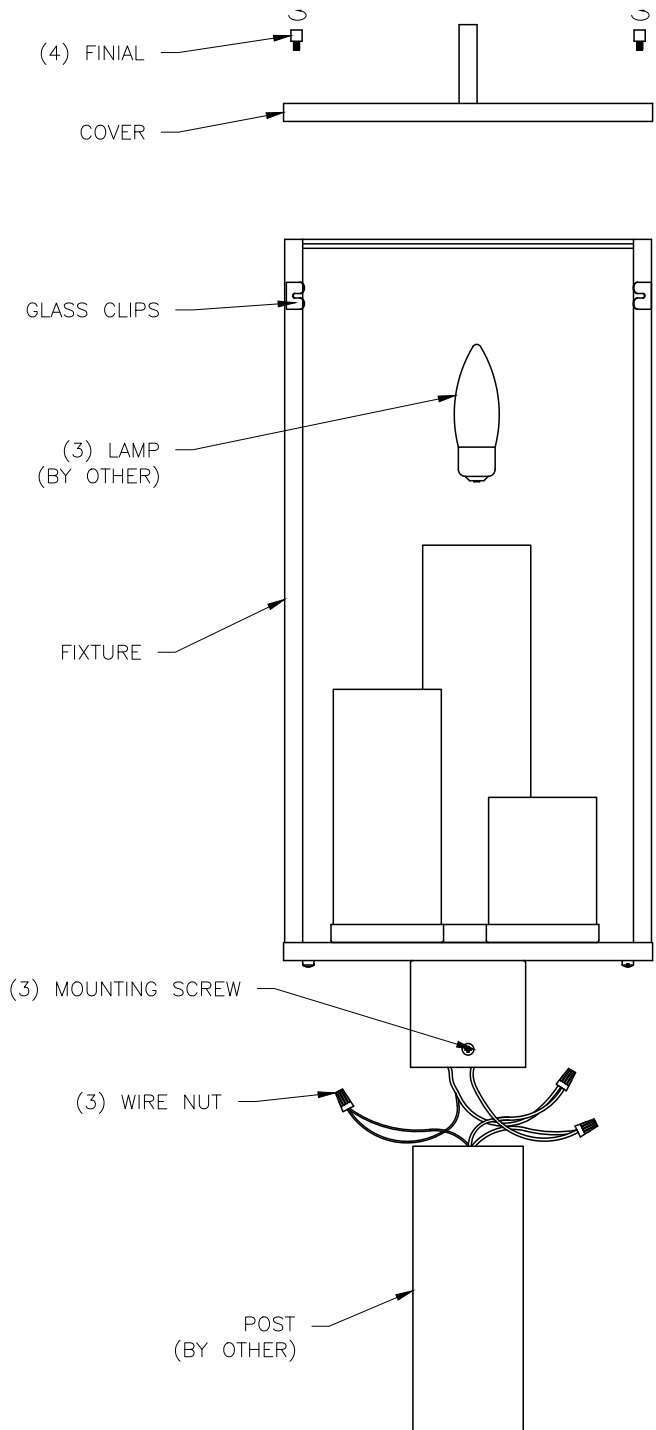


Be sure to read and understand all instruction sheets completely before beginning assembly or installation.

- All assembly and installation work must be performed by qualified personnel, in accordance with all applicable national and local building and electrical codes.
- Be aware that the weight of some fixtures may exceed the strength rating of the 4" electrical junction box or other such hardware at your site. In all cases, it is the responsibility of the contractor to properly secure the fixture to the structure, and to provide adequate support for the fixture.
- Due to constant production improvements, details of the design, material or finish may change in any way that will not significantly alter installed appearance or reduce function or performance.

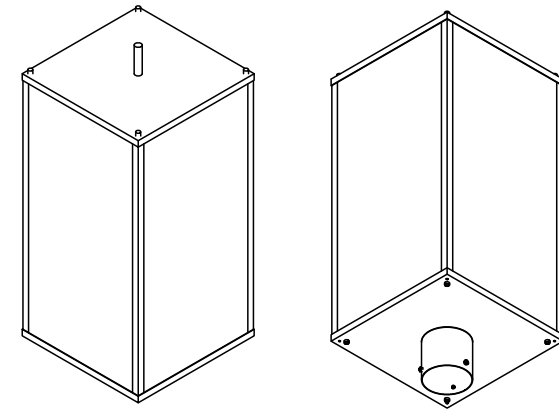
© East Taunton, MA 02718 (508) 977-9991

SKU: 1152



INSTALLATION OF FIXTURE

- 1) CONNECT THE ELECTRICAL WIRES FROM YOUR POST TO THE WIRES FROM THE FIXTURE USING WIRE NUTS. (BLACK TO BLACK, WHITE TO WHITE, GREEN OR BARE GROUND TO GROUND)
- 2) ATTACH THE FIXTURE TO THE POST WITH THE (3) MOUNTING SCREWS PROVIDED.
- 3) UNSCREW THE (4) FINIALS ON THE TOP OF YOUR FIXTURE AND REMOVE THE COVER.
- 8) PLACE THE 4 INDIVIDUAL GLASSES INTO THE FIXTURE AND SECURE BY BENDING OVER GLASS CLIPS IN THE FRAME.
- 9) SLIDE THE CANDLE SLEEVES OVER THE SOCKETS.
- 10) LAMP FIXTURE WITH THE REQUIRED NUMBER OF LAMPS AND WATTAGE PER FIXTURE.
- 11) PLACE THE COVER BACK ON TOP OF YOUR FIXTURE AND SECURE IN PLACE WITH THE (4) FINIALS.



REV.	BY	DATE	DESCRIPTION
1	CAC	02/28/2022	ADDED GLASS INSTALL
INSTRUCTIONS			DRAWN BY: CAC
BACK BAY - 1152			SHEET #: SHEET 1 OF 1
DATE: Apr 14, 2014		DWG: 210334-C-INST	