

**WARNING:** DISCONNECT POWER AT THE MAIN FUSE BOX BEFORE INSTALLATION.

**WARNING:**

This fixture is intended for installation in accordance with the National Electrical Code (NEC) and all local code specifications. If you are not familiar with code requirements, installation by a certified electrician is recommended.

Before assembly, remove all parts and part packages from box. If anything is missing, please contact the retailer from which the product was purchased.

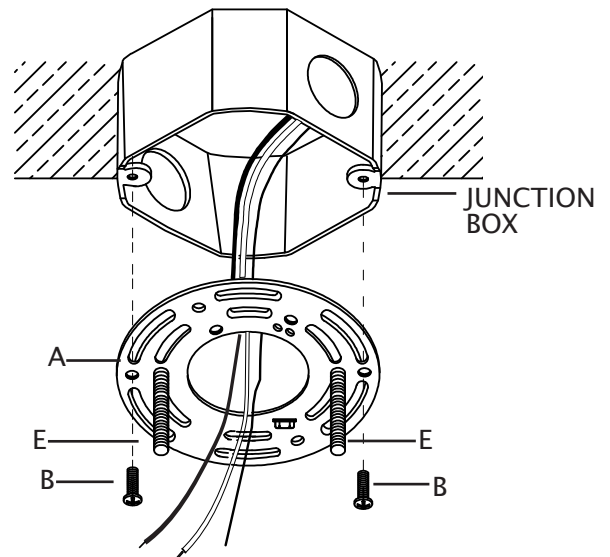
*elk* HOME

ANY QUESTIONS CALL: 800-613-3261  
M-F 8:00AM-6:00PM ET

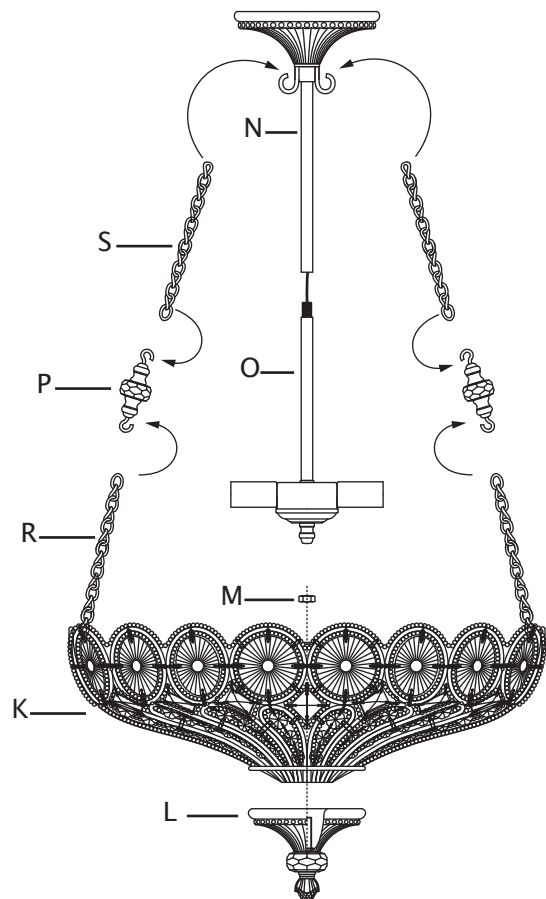
ITEM#: 12024/5

1. Carefully pull house wires out of junction box so they are easily accessible during installation.
2. Position mounting bracket (A) so threaded ends of attached fixture mounting screws (E) are facing down towards floor.
3. Carefully pull house wires through center hole in mounting bracket (A).
4. Align small holes in mounting bracket (A) with holes in junction box.
5. Thread each junction box screw (B) into holes in mounting bracket (A) and into holes in junction box. Tighten junction box screws (B) to secure mounting bracket (A) to junction box.

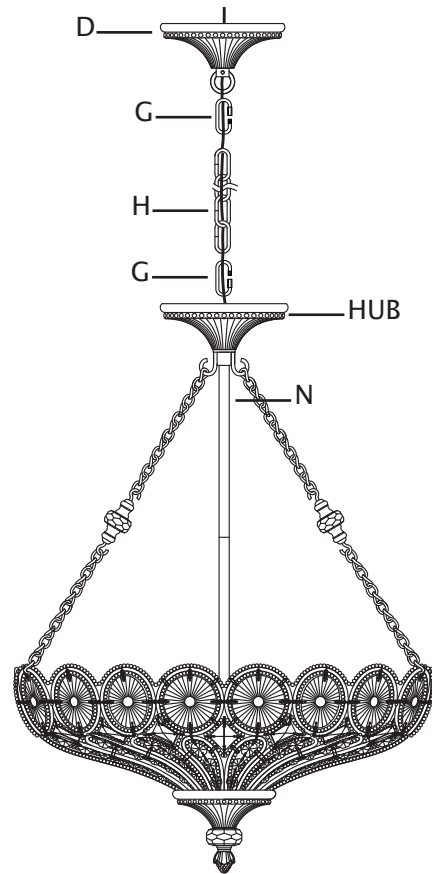
**CAUTION:** Make sure house wires are pulled completely through hole in mounting bracket. **DO NOT** pinch wires between mounting bracket and ceiling.



6. Place bottom trim (L) up against bottom of shade (K). Pass threaded pipe inside bottom trim (L) through hole in bottom of shade (K). Thread hexnut (M) onto threaded pipe protruding from inside shade (K). Tighten hexnut (M) to secure bottom trim (L) to shade (K). **DO NOT** over tighten.
7. Pass fixture wires up through bottom of center stem (N). Pull fixture wires out of top of center stem (N). Pull fixture wires taut. Thread bottom of center stem (N) onto top of fixture body (O).
8. Pass hook at bottom of chain connector (P) through last chain link of one decorative chain (R) on shade (K).
9. Pass hook on chain connector (P) through bottom link of one decorative chain (S).
10. Repeat steps 7-9 to assemble remaining decorative chains (S).
11. Slip chain link at end of each decorative chain (S) over each hook along top of center stem (N).

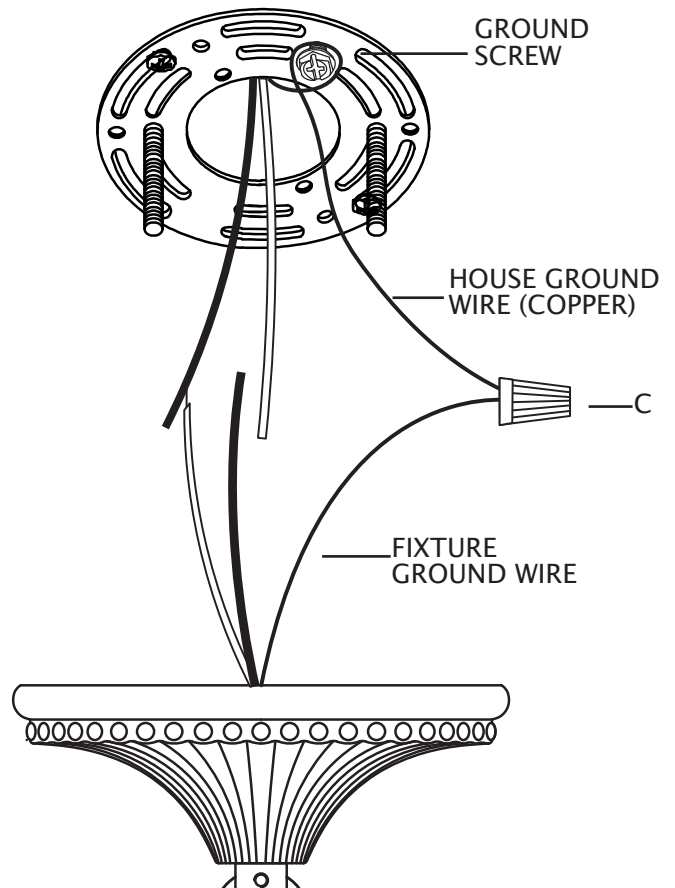


12. Attach one locking link onto loop inside hub on top of center stem (N).
13. Determine desired hanging height of fixture. Cut chain (H) to length to achieve desired height.
14. Slip chain link at end of chain (H) onto locking link (G) on loop.
15. Weave fixture wires through chain links, skipping every other chain link.
16. Push fixture wires up through hole in center of canopy (D).
17. Connect second locking link (G) to chain link at end of chain (H) and to loop on canopy (D).



18. Strip 3/4" of insulation from ends of fixture wires.
19. Slightly loosen ground screw on mounting bracket (A). Do not completely remove ground screw. Wrap house ground wire (copper) around ground screw, leaving enough ground wire to attach to fixture ground wire. Twist end of fixture ground wire and end of house ground wire (copper) together. Twist wire nut (C) onto ends of wires. Completely tighten wire nut (C). Reference chart below for correct wire connections.

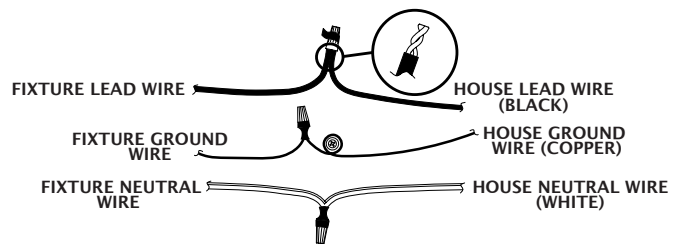
Connect Supply (House) Ground Copper Wire to:
Bare Copper Wire or,
Bare Silver Wire or,
Green Insulated Wire.



20. Twist end of house lead wire (black) and end of fixture lead wire together. Twist wire nut (C) onto ends of wires. Completely tighten wire nut (C). Twist end of house neutral wire (white) and end of fixture neutral wire together. Twist wire nut (C) onto ends of wires. Completely tighten wire nut (C). Reference chart to the right for correct wire connections.
21. Wrap electrical tape (not included) around wire nuts (C) and wires. Ensure wires are securely fastened into wire nuts.
22. Carefully push all wires and wire nuts into junction box.

Connect Black Lead Supply (House) Wire to:	Connect White Neutral Supply (House) Wire to:
Black Wire or,	White Wire or,
*Parallel Cord (Round and Smooth) or,	*Parallel Cord (Square and Ridged) or,
No printed words on wire insulation or,	Printed words on wire insulation or,
Insulated Wire (other than green) with Copper Conductor.	Insulated Wire (other than green) with Silver Conductor.

\*When parallel wire (SPT 1 & SPT 2) is used:  
 The lead wire is round in shape or smooth.  
 The neutral wire is square in shape or ridged.



23. Carefully raise fixture up to ceiling. Place canopy (D) over mounting bracket (A). Pass holes in canopy (D) over ends of fixture mounting screws (E).
24. Screw one threaded cap (F) onto end of each fixture mounting screw (E). Tighten threaded caps (F) to secure fixture to ceiling. DO NOT over tighten.
25. Screw recommended bulbs (E12 candelabra bulb type, not included) into sockets. Verify correct bulb wattage marked on socket of fixture.  
**WARNING: DO NOT exceed maximum bulb wattage.**

