

IMPORTANT

Read all instructions before assembling.

WARNING: To avoid damages, assemble the product on a soft, clean surface.

CAUTION: Keep small parts out of reach of children.

Before assembly, remove all parts and part packages from carton. If anything is missing or damaged, please contact the retailer from which the product was purchased or contact customer service, 800-613-3261.

elk HOME

ANY QUESTIONS CALL: 800-613-3261
M-F 8:00AM-6:00PM ET

12030

Hartford Accent Table

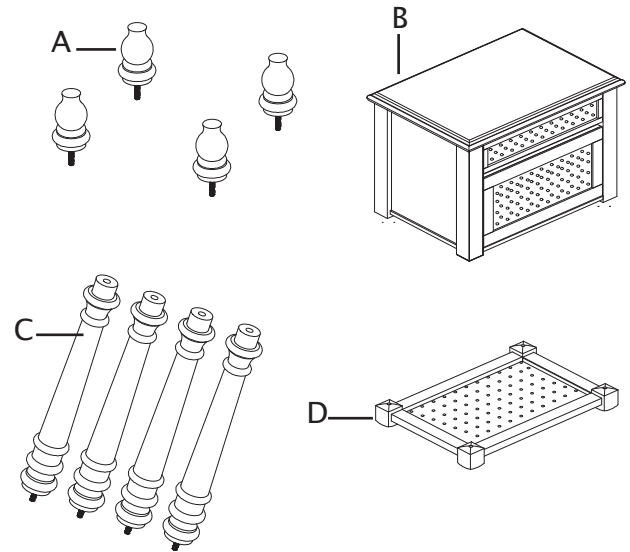
PACKAGE CONTENTS

Parts	Quantity	
A	TABLE FOOT	4
B	TABLE BOX	1
C	TABLE LEG	4
D	SHELF	1

NOTES:

One-person assembly.

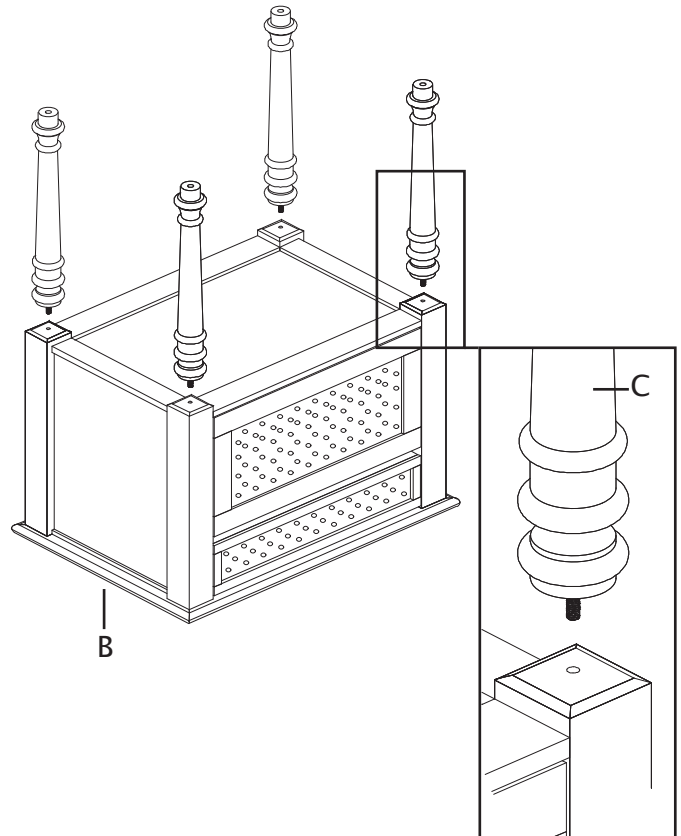
Approx. assembly time: 30 minutes



ASSEMBLY

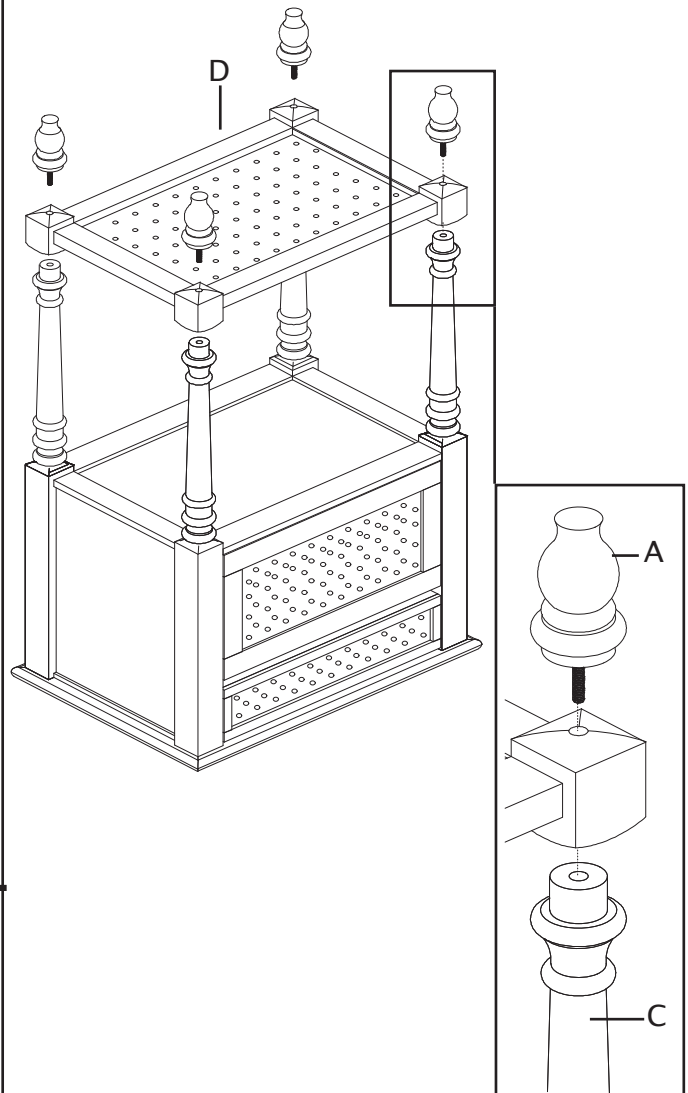
IMPORTANT: It is recommended to place a blanket, cardboard or other cushioning material on the floor to prevent damage to floor and furniture piece.

1. Carefully place table box (B) face down on floor.
2. Screw the threaded pipe on the top of table leg (C) into hole in table top (B). Tighten table leg (C) to secure in place. **DO NOT** over tighten.
3. Repeat steps 1 and 2 for remaining table legs (C).



ASSEMBLY (CONTINUED)

4. Place the top of shelf (D) down onto the bottom of table legs (C). Align holes in shelf (D) with holes in the bottom of table legs (C).
5. Screw the threaded pipe on the top of table foot (A) into each hole in shelf (D). Tighten table foot (A) to secure in place. **DO NOT** over tighten.
6. Repeat steps 4 and 5 for remaining table feet (D).
7. Carefully turn table upright and place on floor in permanent location.

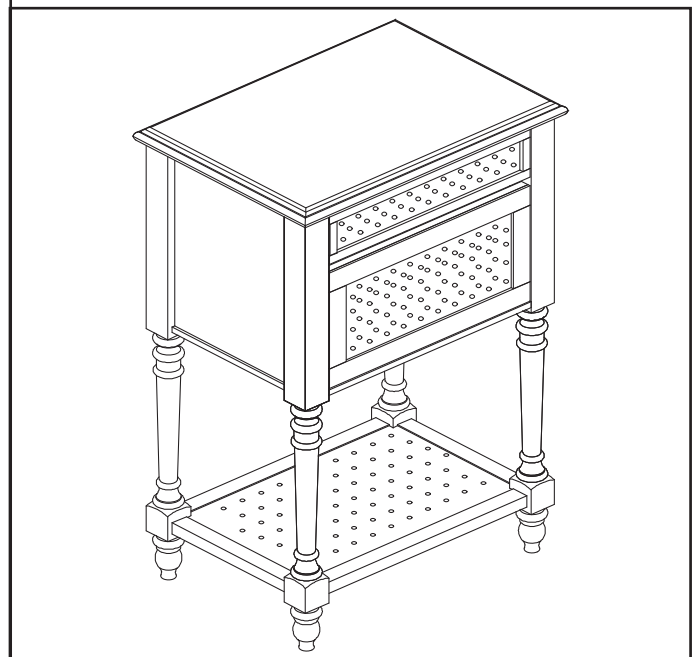


IMPORTANT: During the life of the product, periodically check all screws and fixings to ensure they are secure.

CARE AND CLEANING

- Before using, wipe with a clean, dry cloth.
- Glass may be cleaned with cleaning products specified safe to use on glass.
- Dust and clean furniture with a clean, non-colored, lint-free cloth.
- Do not use any cleaners with chemicals, solvents or harsh abrasives.
- Do not put hot items directly on furniture surface.
- Do not place furniture in direct sunlight.
- Do not place furniture near heating or cooling vents.
- Do not write on furniture without a padded barrier to protect the surface.
- Do not place furniture outside. For indoor use only.
- Any liquid spilled on the table should be cleaned up immediately using a damp cloth.
- Avoid rubbing or scratching the surface with rough or abrasive objects.

PLEASE KEEP INSTRUCTIONS FOR FUTURE REFERENCE.



MADE IN VIETNAM