

Each Norwell light fixture has a mounting bar or plate to secure it to the electrical junction box. No matter what type of mounting bar/plate your fixture uses, installation requires three basic steps.

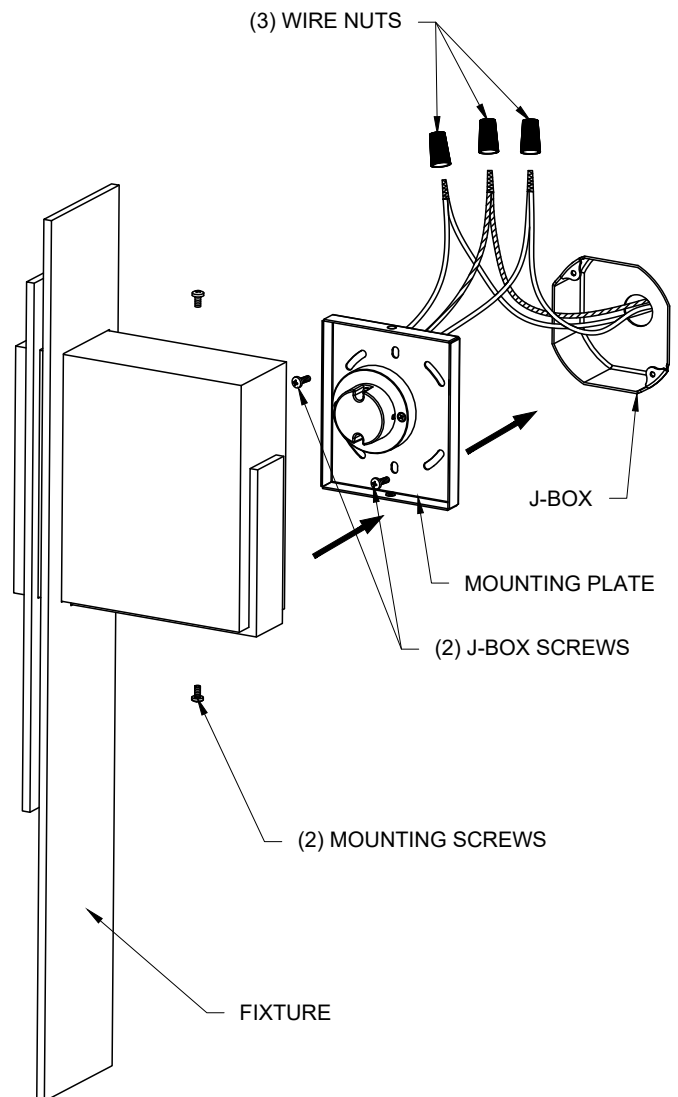
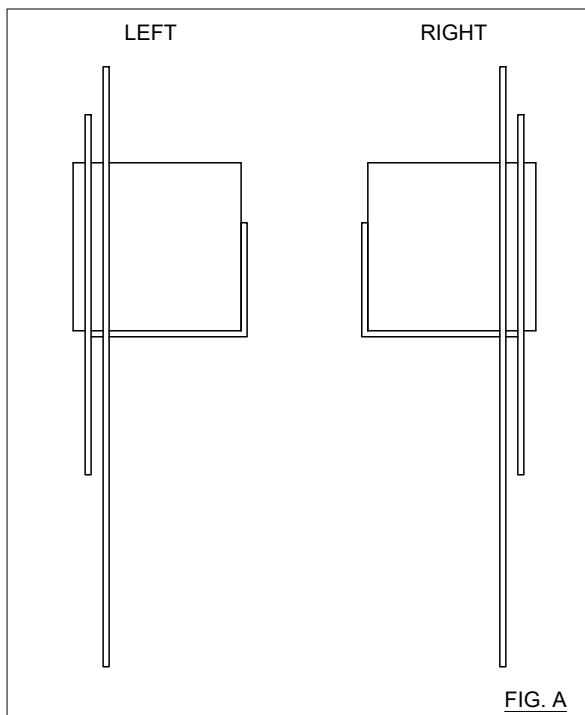
Norwell Lighting INSTRUCTIONS

1270

1. Attach the mounting bar/plate to the electrical junction box.
2. Connect the electrical wires from the junction box to the electrical wires from the fixture.
(Black to Black, White to White and Green to Ground)
3. Secure the fixture to the mounting bar/plate.

INSTALLATION OF FIXTURE

- 1) DETERMINE WHICH FIXTURE DIRECTION YOU WOULD LIKE TO INSTALL. PLEASE NOTE: ALL FIXTURES SHIP AS LEFT. (SEE FIG. A)
- 2) IF YOU WOULD LIKE TO CONVERT YOUR FIXTURE FROM LEFT TO RIGHT PLEASE FOLLOW SEPARATE INSTRUCTION SHEET BEFORE, STEPS 3-5.
- 3) CONNECT THE ELECTRICAL WIRES FROM YOUR J-BOX TO THE WIRES FROM THE MOUNTING PLATE USING WIRE NUTS. (BLACK TO BLACK, WHITE TO WHITE, GREEN TO GROUND)
- 4) ATTACH MOUNTING PLATE TO J-BOX WITH (2) J-BOX SCREWS.
- 5) ATTACH THE FIXTURE TO THE MOUNTING PLATE, USING THE (2) MOUNTING SCREWS. ENSURE THE FIXTURE IS SNUG TO THE WALL.



- Be sure to read and understand all instruction sheets completely before beginning assembly or installation.
- Be sure the power is turned off by either by removing the fuse or closing the circuit breaker.
- All assembly and installation work must be in accordance with National, State and Local electrical codes. We strongly advise using a licensed electrician.
- Be aware that the weight of some fixtures may exceed the strength rating of the 4" electrical junction box or other such hardware at your site. In all cases, it is the responsibility of the contractor to properly secure the fixture to the structure, and to provide adequate support for the fixture.
- Due to constant production improvements, details of the design, material or finish may change in any way that will not significantly alter installed appearance or reduce function or performance.

Each Norwell light fixture has a mounting bar or plate to secure it to the electrical junction box. No matter what type of mounting bar/plate your fixture uses, installation requires three basic steps.

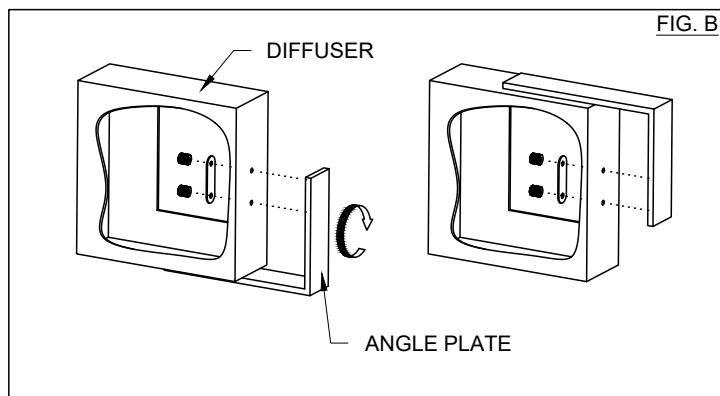
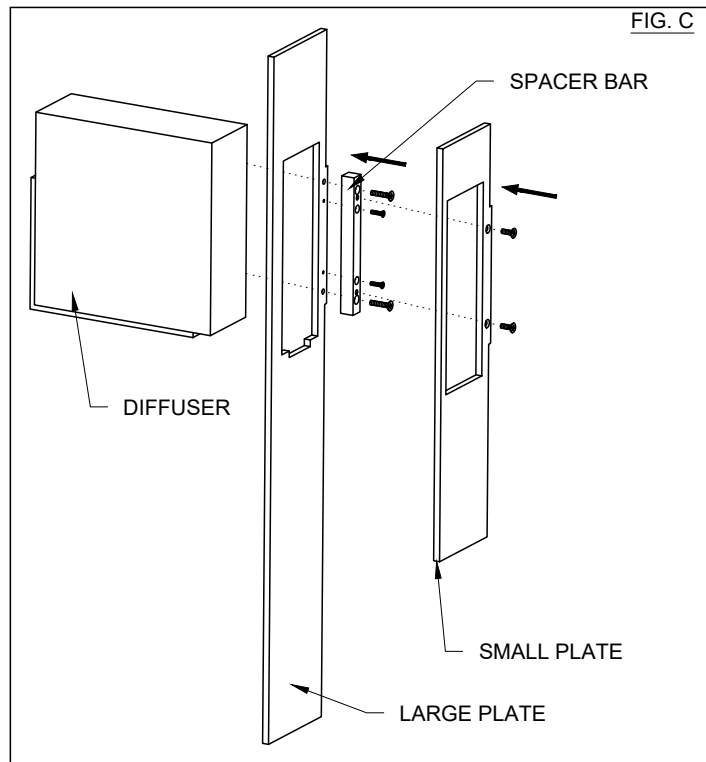
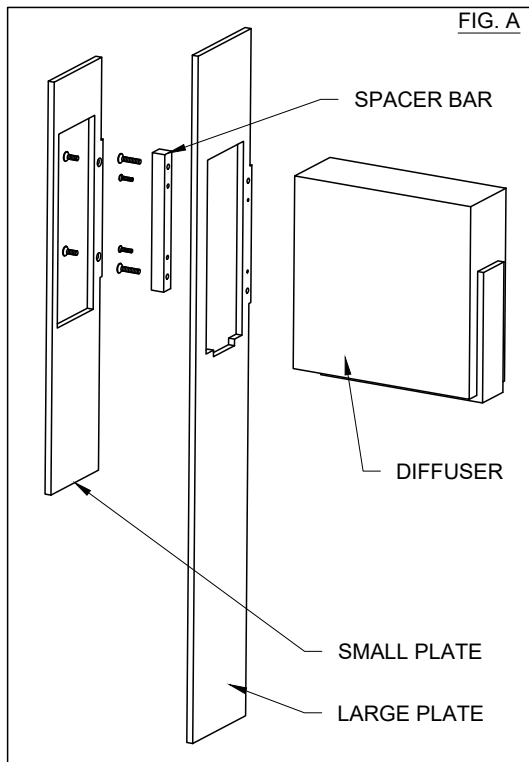
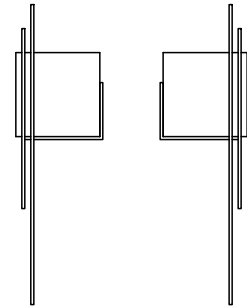
Norwell Lighting INSTRUCTIONS

1270 - LEFT TO RIGHT

1. Attach the mounting bar/plate to the electrical junction box.
2. Connect the electrical wires from the junction box to the electrical wires from the fixture.
(Black to Black, White to White and Green to Ground)
3. Secure the fixture to the mounting bar/plate.

CONVERSION OF FIXTURE FROM LEFT TO RIGHT

- 1) UNSCREW SMALL PLATE, SPACER BAR AND LARGE PLATE FROM THE DIFFUSER. (SEE FIG. A)
- 2) REMOVE ANGLE PLATE FROM DIFFUSER AND ROTATE THE ANGLE PLATE 180° AND RE-ATTACH TO THE DIFFUSER. (SEE FIG. B)
- 3) SCREW TOGETHER LARGE PLATE TO THE DIFFUSER, SPACER BAR TO LARGE PLATE, AND SMALL PLATE TO THE SPACER BAR. (SEE FIG. C)



- Be sure to read and understand all instruction sheets completely before beginning assembly or installation.
- Be sure the power is turned off by either by removing the fuse or closing the circuit breaker.
- All assembly and installation work must be in accordance with National, State and Local electrical codes. We strongly advise using a licensed electrician.
- Be aware that the weight of some fixtures may exceed the strength rating of the 4" electrical junction box or other such hardware at your site. In all cases, it is the responsibility of the contractor to properly secure the fixture to the structure, and to provide adequate support for the fixture.
- Due to constant production improvements, details of the design, material or finish may change in any way that will not significantly alter installed appearance or reduce function or performance.