

WARNING: DISCONNECT POWER AT THE MAIN FUSE BOX BEFORE INSTALLATION.

WARNING:

This fixture is intended for installation in accordance with the National Electrical Code (NEC) and all local code specifications. If you are not familiar with code requirements, installation by a certified electrician is recommended.

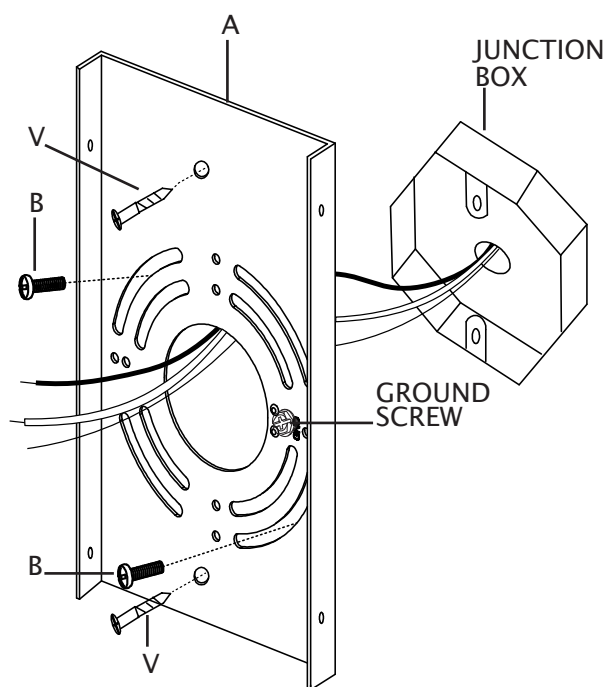
Before assembly, remove all parts and part packages from box. If anything is missing, please contact the retailer from which the product was purchased.



ANY QUESTIONS CALL: 800-613-3261
M-F 8:00AM-6:00PM ET

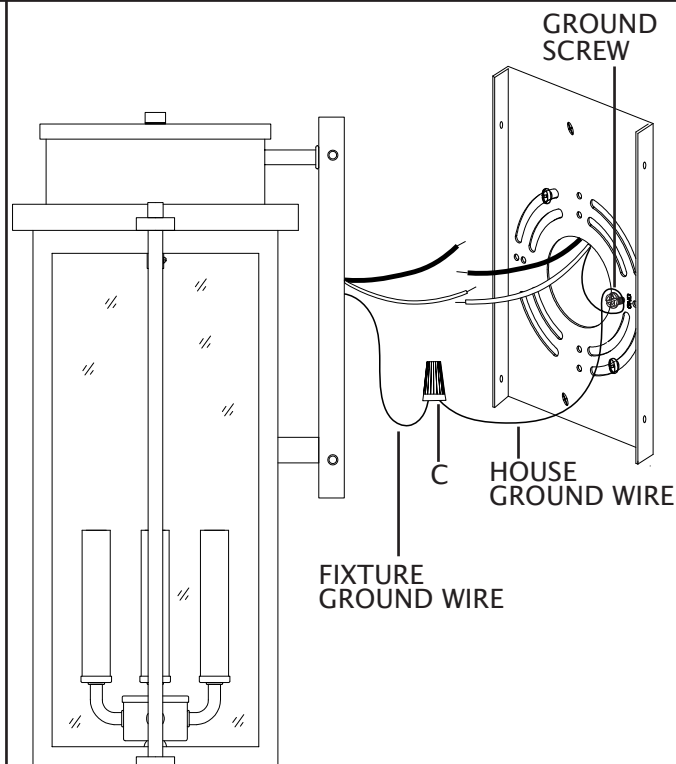
ITEM#: 45442/4

1. Carefully pull house wires out of junction box so they are easily accessible during installation.
2. Position mounting bracket (A) so head of ground screw is facing outwards and the tabs on the mounting bracket (A) are pointing out.
3. Carefully pull house wires through hole in center of mounting bracket (A).
4. Align slotted holes in mounting bracket (A) with each hole in junction box. Mounting bracket (A) should be level.
5. Thread one junction box screw (B) into each slot in mounting bracket (A) and into holes in junction box.
6. Screw one self-tapping screw (V) into hole in top center of mounting bracket (A).
7. Screw second self-tapping screw (V) into hole in bottom center of mounting bracket. Tighten both self-tapping screws (V) to secure mounting bracket (A) to wall.



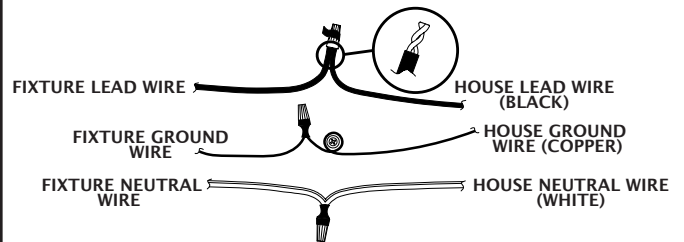
8. Strip 3/4" of insulation from ends of fixture wires.
9. Slightly loosen ground screw on mounting bracket (A). Do not completely remove ground screw. Wrap house ground wire (copper) around ground screw, leaving enough ground wire to attach to fixture ground wire. Twist end of fixture ground wire and end of house ground wire together. Twist wire nut (C) onto ends of wires. Completely tighten wire nut (C). Reference chart below for correct wire connections.

Connect Supply (House) Ground Copper Wire to:
Bare Copper Wire or,
Bare Silver Wire or,
Green Insulated Wire.

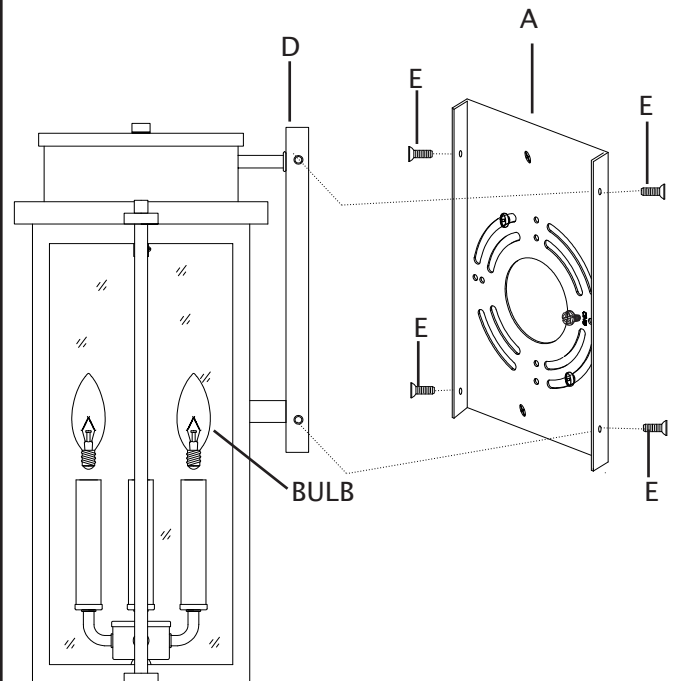


10. Twist end of house lead wire (black) and end of fixture lead wire together. Twist wire nut (C) onto ends of wires. Completely tighten wire nut (C). Twist end of house neutral wire (white) and end of fixture neutral wire together. Twist wire nut (C) onto ends of wires. Completely tighten wire nut (C). Reference chart to the right for correct wire connections.
11. Wrap electrical tape (not included) around wire nuts (C) and wires. Ensure wires are securely fastened into wire nuts.
12. Carefully push all wires and wire nuts into junction box.

Connect Black Lead Supply (House) Wire to:	Connect White Neutral Supply (House) Wire to:
Black Wire or,	White Wire or,
*Parallel Cord (Round and Smooth) or,	*Parallel Cord (Square and Ridged) or,
No printed words on wire insulation or,	Printed words on wire insulation or,
Insulated Wire (other than green) with Copper Conductor.	Insulated Wire (other than green) with Silver Conductor.
*When parallel wire (SPT 1 & SPT 2) is used: The lead wire is round in shape or smooth. The neutral wire is square in shape or ridged.	



13. Place backplate (D) over mounting bracket (A). Align holes in sides of backplate (D) with holes in tabs on sides of mounting bracket (A).
14. Screw one fixture mounting screw (E) into each hole in both sides of backplate (D) and into holes in tabs on mounting bracket (A). Tighten fixture mounting screws (E) to secure fixture to wall.
15. Screw recommended bulbs (E12 Candelabra bulb type, not included) into sockets. Verify correct bulb wattage marked on socket of fixture. **WARNING: DO NOT** exceed maximum bulb wattage.



Instructions for Mounting Fixture Outdoors or in Wet Location

1. Mounting surface should be clean, dry, flat and 1/4" larger than canopy on all sides. Any gaps between mounting surface and canopy exceeding 3/16" should be corrected as required.
2. Apply silicone caulking compound around top and sides of canopy where back of canopy meets wall surface to prevent water from seeping into junction box. Leave bottom unsealed so moisture can drain out.

MAINTENANCE NOTE: Only use a soft damp cloth to clean fixture as needed. DO NOT use harsh chemicals on fixture. Harsh chemicals may damage fixture.

Coastal conditions may cause mineral and residue build-up on fixture. It is recommended that customers in coastal areas clean all external surfaces of fixture once every two weeks with a wet cloth.