

WARNING: DISCONNECT POWER AT THE MAIN FUSE BOX BEFORE INSTALLATION.

WARNING:

This fixture is intended for installation in accordance with the National Electrical Code (NEC) and all local code specifications. If you are not familiar with code requirements, installation by a certified electrician is recommended.

Before assembly, remove all parts and part packages from box. If anything is missing, please contact the retailer from which the product was purchased.

elk HOME

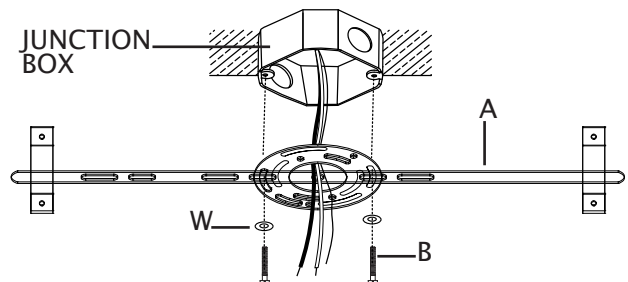
ANY QUESTIONS CALL: 800-613-3261
M-F 8:30AM-5:00PM ET

ITEM#: 4LP-OB

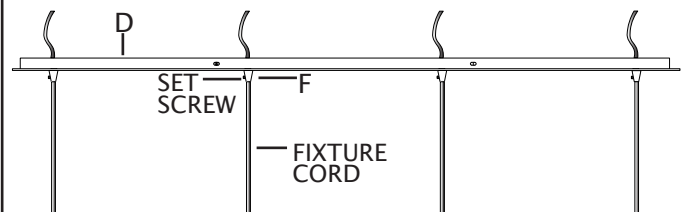
WARNING

**INDIVIDUAL FIXTURE WEIGHT NOT TO EXCEED 4 LBS.
Poids de l'appareil INDIVIDUEL ne pas dépasser 4 LBS.**

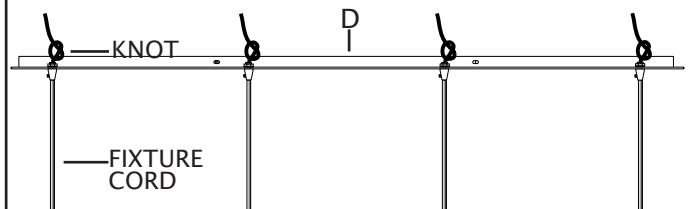
1. Carefully pull house wires out of junction box so they are easily accessible during installation.
2. Position the mounting bracket (A) so the tabs on the bars at each end of the mounting bracket are pointing down.
3. Place mounting bracket up against junction box. Align holes in mounting bracket with holes in junction box.
4. Slip one washer (W) onto each junction box screw (B).
5. Thread one junction box screw (B) with washer (W) through each hole in mounting bracket (A) and into holes in junction. Tighten junction box screws (B) to secure mounting bracket (A) to junction box.



6. Loosen the set screw on one strain relief (F). Push one fixture cord up through strain relief (F). Pull fixture cord up through canopy. Tighten set screw to secure fixture in place.
7. Repeat step 6 for remaining fixtures.

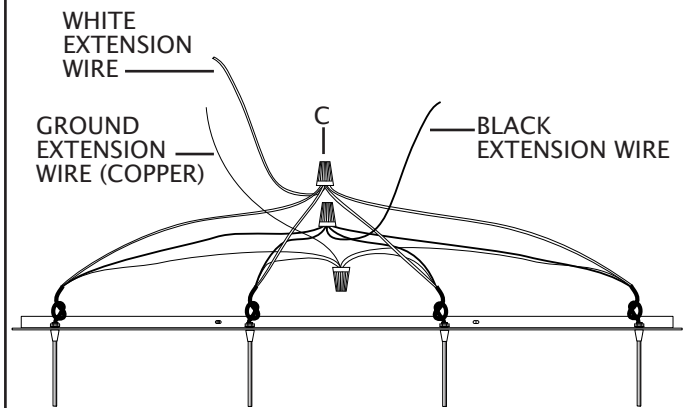


8. Determine desired hanging height of each fixture. Loosen set screw on strain relief (F). Carefully pull each fixture cord up or down to achieve that height. Once desired height has been achieved, tie a knot in each fixture cord above canopy (D). Tighten each knot flush against inside of canopy (D).
9. Excess cord may be trimmed. Take precautions to not damage the fixture wires inside the cord. Ensure the fixture wires are long enough to easily make the connections with the house wires.

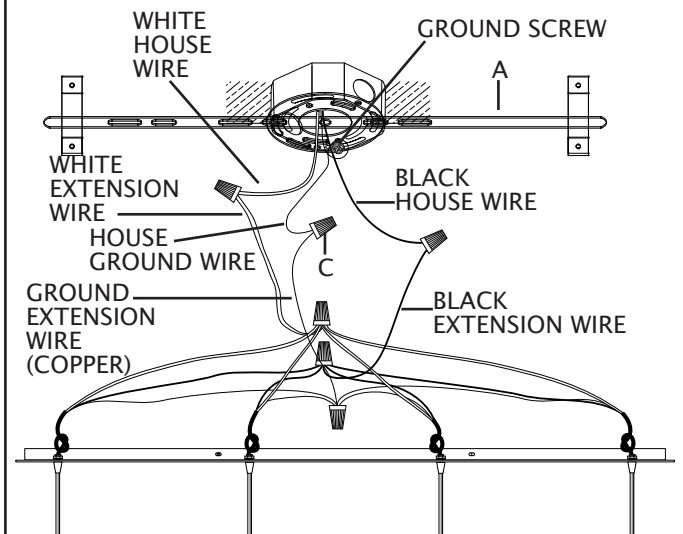


10. Strip 3/4" of insulation from ends of fixture wires.
 11. Connect ground wire (green insulated or bare copper) from each fixture to the copper extension wire with a wire nut (C).
 12. Connect the neutral wire from each fixture to a white extension wire with a wire nut (C).
 13. Connect the lead wire from each fixture to a black extension wire with a wire nut (C).
- NOTE:** Reference chart below to identify fixture wires.

Connect Black Lead Supply (House) Wire to:	Connect White Neutral Supply (House) Wire to:
Black Wire or,	White Wire or,
*Parallel Cord (Round and Smooth) or,	*Parallel Cord (Square and Ridged) or,
No printed words on wire insulation or,	Printed words on wire insulation or,
Insulated Wire (other than green) with Copper Conductor.	Insulated Wire (other than green) with Silver Conductor.
*When parallel wire (SPT 1 & SPT 2) is used: The lead wire is round in shape or smooth. The neutral wire is square in shape or ridged.	



14. Slightly loosen ground screw on mounting bracket (A). Do not completely remove ground screw. Wrap house ground wire (copper) around ground screw, leaving enough ground wire to attach to green extension wire from fixture. Twist end of green extension wire from fixture and end of house ground wire together. Twist wire nut (C) onto ends of wires. Completely tighten wire nut (C).
15. Twist end of house lead wire (black) and end of black extension wire from fixture together. Twist wire nut (C) onto ends of wires. Completely tighten wire nut (C).
16. Twist end of house neutral wire (white) and end of white extension wire from fixture together. Twist wire nut (C) onto ends of wires. Completely tighten wire nut (C).
17. Wrap electrical tape (not included) around wire nuts (C) and wires. Ensure wires are securely fastened into wire nuts.



18. Carefully raise canopy (D) with attached fixtures up to ceiling. Place canopy (D) over mounting bracket (A). Thread one fixture mounting screw (E) into each hole in sides of canopy and into holes in tabs on mounting bracket (A). Tighten fixture mounting screws (E) to secure canopy (D) to mounting bracket (A).

