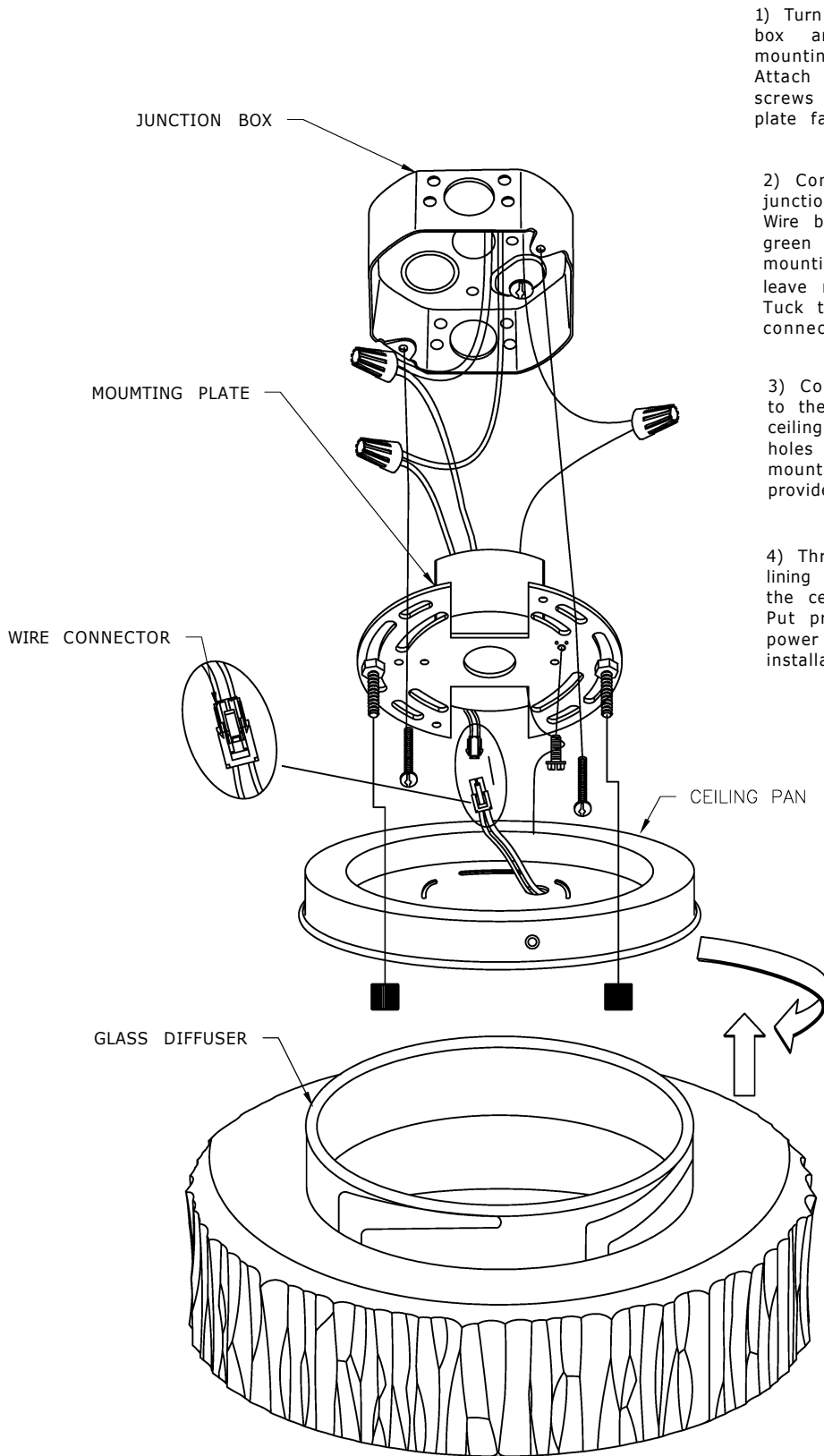


Be sure to read and understand all instruction sheets completely before beginning assembly or installation. All assembly and installation work must be performed by qualified personnel, in accordance with all applicable national and local building and electrical codes.

- Be aware that the weight of some fixtures may exceed the strength rating of the 4" electrical junction box or other such hardware at your site. In all cases, it is the responsibility of the contractor to properly secure the fixture to the structure, and to provide adequate support for the fixture.
- Due to constant production improvements, details of the design, material or finish may change in any way that will not significantly alter installed appearance or reduce function or performance.

© East Taunton, MA D2718 (5D8) 977-9991



1) Turn power off! Pull the wires out of the junction box and feed them through the center hole in the mounting plate. Attach the mounting plate to the junction box with the screws provided and leave the studs on the mounting plate facing outward.

2) Connect the light fixture wires to the wires in the junction box. Wire black to black-white to white and attach the green ground to the green screw provided on the mounting plate. Use wire nuts on the connections and leave no bare wire exposed (excepting the green). Tuck the wires inside the junction box leaving the wire connector protruding through the mounting plate hole.

3) Connect the wire connector from the junction box to the wire connector in the ceiling pan. Secure the ceiling pan to the mounting plate by lining up the holes on the ceiling pan with the studs on the mounting plate and screwing on the knurled nuts provided. Make sure to fasten securely.

4) Thread the glass diffuser into the ceiling pan by lining up the grooves in the diffuser with the pins in the ceiling pan. Put pressure up while turning clockwise. Turn your power back on and you have completed the installation process.

# Norwell Lighting

REV.	BY	DATE	DESCRIPTION
INSTRUCTIONS			<small>BY</small> <b>GB</b> <small>SHEET #</small> <b>1</b> <small>OF</small> <b>1</b>
Bark Sconce/Mini Flush			
DAS/20/2019		<small>DWG.</small> <b>5377-A-INST</b>	<small>FILENAME</small> 5377-A-INST