

Each Norwell light fixture has a mounting bar or plate to secure it to the electrical junction box. No matter what type of mounting bar/plate your fixture uses, installation requires three basic steps.

1. Attach the mounting bar/plate to the electrical junction box.
2. Connect the electrical wires from the junction box to the electrical wires from the fixture.  
(Black to Black, White to White and Green to Ground).
3. Secure the fixture to the mounting bar/plate.

# Norwell

## Lighting

### INSTRUCTIONS

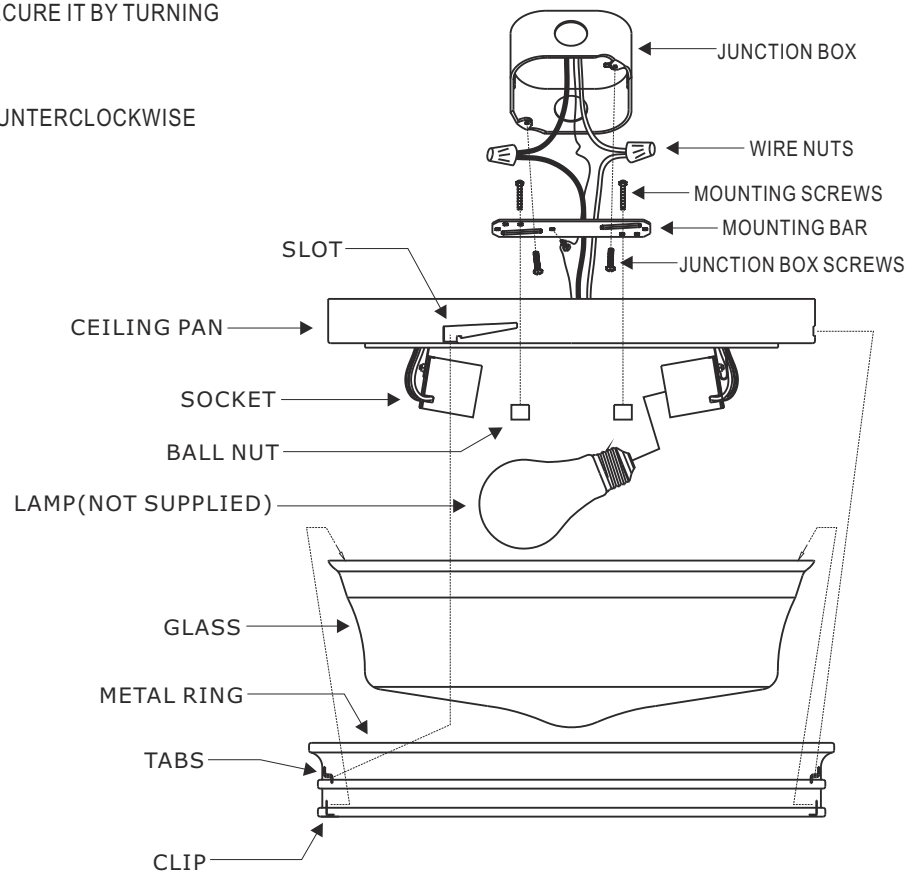
#### 5912

### INSTALLATION OF FIXTURE

1. INSTALL THE MOUNTING SCREWS INTO THE MATCHING HOLES IN THE MOUNTING BAR. SECURE THE MOUNTING BAR TO THE JUNCTION BOX WITH THE JUNCTION BOX SCREWS.
2. CONNECT THE ELECTRICAL WIRES FROM YOUR JUNCTION BOX TO THE WIRES FROM THE CANOPY USING WIRE NUTS. (BLACK TO BLACK, WHITE TO WHITE, GREEN TO GROUND)
3. RAISE CEILING PAN ALLOWING THE MOUNTING SCREWS TO PROTRUDE THROUGH THE HOLES IN THE CEILING PAN, AND SECURE WITH THE BALL NUT.
4. INSTALL THE BULB (NOT INCLUDED) INTO THE SOCKET.
5. SLIDE THE GLASS ONTO THE BOTTOM OF METAL RING AND SECURE IT WITH CLIPS.
6. RAISE THE METAL RING AND INSERT THE TABS ON THE METAL RING INTO THE SLOT OF CEILING PAN. SECURE IT BY TURNING IT CLOCKWISE.

### **HOW TO REPLACE THE BULB:**

PUSH UP THE METAL RING AND TURN IT COUNTERCLOCKWISE TO REMOVE IT FOR RELAMPING.



- Be sure to read and understand all instruction sheets completely before beginning assembly or installation.
- Be sure the power is turned off by removing the fuse or closing the circuit breaker.
- All assembly and installation work must be in accordance with National, State and Local electrical codes. We strongly advise using a licensed electrician.
- Be aware that the weight of some fixtures may exceed the strength rating of the 4" electrical junction box or other such hardware at your site. In all cases, it is the responsibility of the contractor to properly secure the fixture to the structure, and to provide adequate support for the fixture.
- Due to constant production improvements, details of the design, material or finish may change in any way that will not significantly alter installed appearance or reduce function or performance.