

**WARNING:**

This fixture is intended for installation in accordance with the National Electrical Code (NEC) and all local code specifications. If you are not familiar with code requirements, installation by a certified electrician is recommended.

**elk HOME**

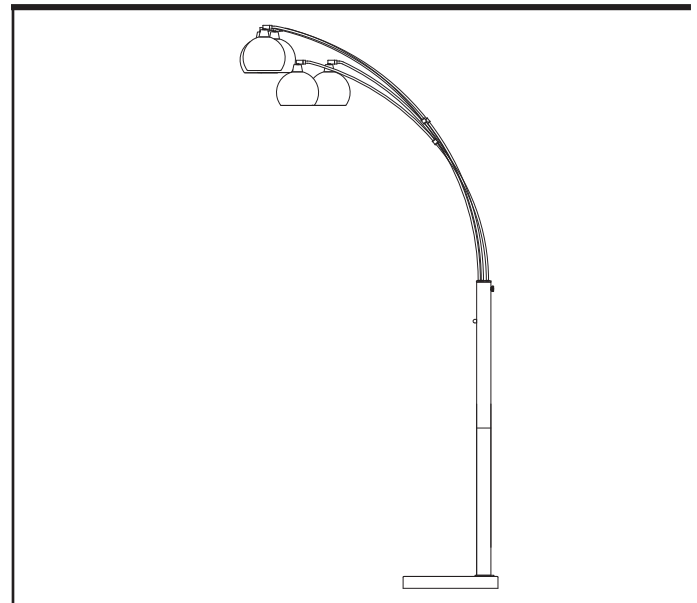
ANY QUESTIONS CALL: 800-613-3261  
M-F 8:00AM-6:00PM ET

**CAUTION:** To prevent shock, only plug in lamp after lamp assembly is complete.

**WARNING:** This portable lamp has a polarized plug (one blade is wider than the other). As a safety feature, this plug will fit in a polarized outlet only one way. If the plug does not fit fully in the outlet, reverse the plug. If it still does not fit, contact a qualified electrician. Never use with an extension cord unless plug can be fully inserted. Do not attempt to work around this safety feature.

Before assembly, remove all parts and part packages from box. If anything is missing, please contact the retailer from which the product was purchased.

ITEM#: 77102



1. From the bottom of tube (B), unscrew hex nut (L) using wrench (not included) from threaded pipe (K). Slip washer (H) off of threaded pipe (K). Keep large washer (G) in place on threaded pipe (K).
2. Insert end of threaded pipe (K) through hole in top of base (A).
3. Slip washer (H) over end of threaded pipe (K) protruding from underside of base (A). Thread hex nut (L) onto end of threaded pipe (K). Using wrench (not included), tighten hex nut (L) to secure tube (B) to base (A). **IMPORTANT:** The switch on tube (B) should be facing the front center of base (A).
4. Using flat-head screwdriver (not included), remove the set screws at the top of each arm on arm assembly (C).
5. Insert the bottom of each arm on lamp body (D) into top of each arm on arm assembly (C). Thread each set screw into holes in top of each arm on arm assembly (C). Using flat-head screwdriver (not included), tighten set screws to secure lamp body (D) to arm assembly (C).
6. Connect wire terminal at bottom of arm assembly (C) to wire terminal at top of tube (B). Carefully push excess wire into tube (B). Ensure wire terminals stay connected.
7. Align screw hole in bottom of arm assembly (C) with screw hole in side of tube (B). Insert bottom of arm assembly (C) into top of tube (B). Thread thumbscrew (M) into hole in tube (B) and into hole in arm assembly (C). Tighten thumbscrew (M) to secure arm assembly (C) in place.
8. Remove socket rings (F) from sockets.
9. Slip hole in top of each shade (E) over sockets. Thread socket ring (F) onto sockets. Tighten socket rings (F) to secure shades (E) in place. **DO NOT** over tighten.
10. Insert recommended bulbs (not included) into sockets. **WARNING:** Verify correct bulb wattage marked on socket of lamp. **DO NOT** exceed maximum bulb wattage.

