

This fixture is rated for (1) 60-watt maximum TYPE B standard bulb (not included). To avoid the risk of fire, do not exceed the recommended wattage.

Not intended for outdoor use.

Pre-assembly

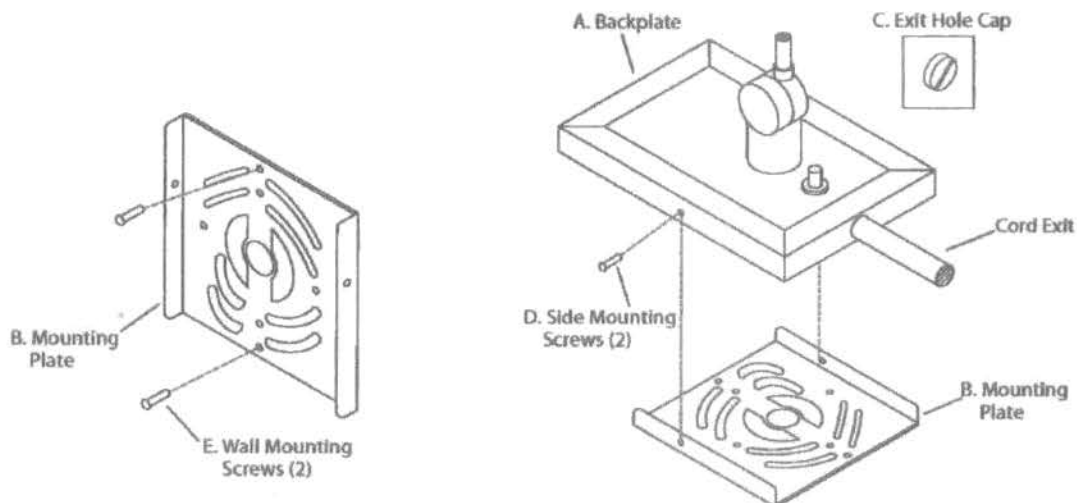
Remove all parts and hardware from box along with any plastic protective packaging. Do not discard any contents until after assembly is complete to avoid accidentally discarding small parts or hardware.

Plug-in Installation

1. Place mounting plate (B) against the wall in the desired mounting position.
2. Mark the location of the mounting holes on the wall with a pencil.
3. Remove the mounting plate (B) and drill holes for wall mounting screws (E) at the points indicated by pencil marks.
4. Align the holes in the mounting plate (B) with the drilled holes in the wall.
5. Using a screwdriver, secure the mounting plate (B) to the wall with the (2) wall mounting screws (E).
6. Place the back plate (A) of the fixture over the mounting plate (B) and secure with (2) side mount screws (D).
7. If fixture uses a glass or cloth shade, remove the threaded collar ring from around the threaded socket. Remove any protective covering from shade and place shade around threaded socket.
8. Secure shade by screwing the threaded collar ring onto the threaded socket until secure.
9. Insert bulb (not included). Plug fixture into outlet.
10. Assembly is complete.

To clean your fixture, lightly dust with a soft cloth.

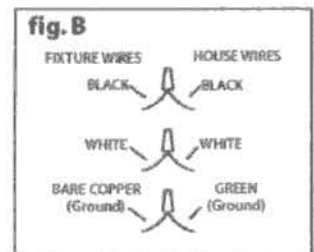
DO NOT USE abrasives or ammonia.



CAUTION: Be sure the power is turned off by either removing the fuse or closing the circuit breaker. Installation must be in compliance with National, State and Local electrical codes. We strongly advise using a licensed electrician.

Hardwire Installation

1. SHUT OFF THE MAIN ELECTRICAL SUPPLY FROM THE MAIN FUSE BOX/CIRCUIT BREAKER
2. Gently pull the wiring out from the outlet box in your home and allow wires to hang.
3. Place the flat side of the mounting plate (B) flush with the outlet box. Gently pull the wiring from the outlet box through the mounting plate and allow wires to hang. Position the mounting holes in the mounting plate (B) with the corresponding holes in your outlet box. Insert screws (not included) through the mounting plate and outlet box. Tighten with a screwdriver.
4. IT IS IMPERATIVE THAT THE OUTLET BOX IS PROPERLY GROUNDED. If your outlet box does not have a GROUND WIRE, be sure to insert the green ground screw into the mounting plate (B) facing DOWN, and wrap the ground wire in the outlet box (usually copper) around the ground screw on the mounting plate. If your outlet box DOES have a ground wire, follow step 10, after completing steps 5-9.
5. Remove the yellow connectors tucked behind the light fixture and untwist the wires.
6. Remove the cord exit pipe and plug by unscrewing the cord exit pipe from the fixture.
7. Connect the light fixture wires to the wires from the junction box as shown (fig. B) white to white, black to black and ground to ground. If there is no ground wire from the junction box, connect the fixture ground wire (green or copper) to the mounting bar with the green screw provided. Be certain that all connections are tight and NO bare wire is visible. (note: ground wire will show bare wire.)
8. Tuck the wires into the junction box.
9. Position the back plate (A) of the fixture over the mounting plate (B) making sure that all wire connections are tucked neatly behind the back plate.
10. Secure fixture to mounting plate (B) with side-mount screws (D) and screwdriver.
11. Screw the exit hole cap (C) into the hole left by the cord exit pipe.
12. If fixture uses a glass or cloth shade, remove the threaded collar ring from around the threaded socket. Remove any protective cover from shade and place shade around the threaded socket.
13. Secure shade by screwing the threaded collar ring onto the threaded socket until snug.
14. Insert bulb (not included) and restore the power in the junction box.
15. Assembly is complete.



To clean your fixture, lightly dust with a soft cloth.

DO NOT USE abrasives or ammonia.

