

Each Norwell light fixture has a mounting bar or plate to secure it to the electrical junction box. No matter what type of mounting bar/plate your fixture uses, installation requires three basic steps.

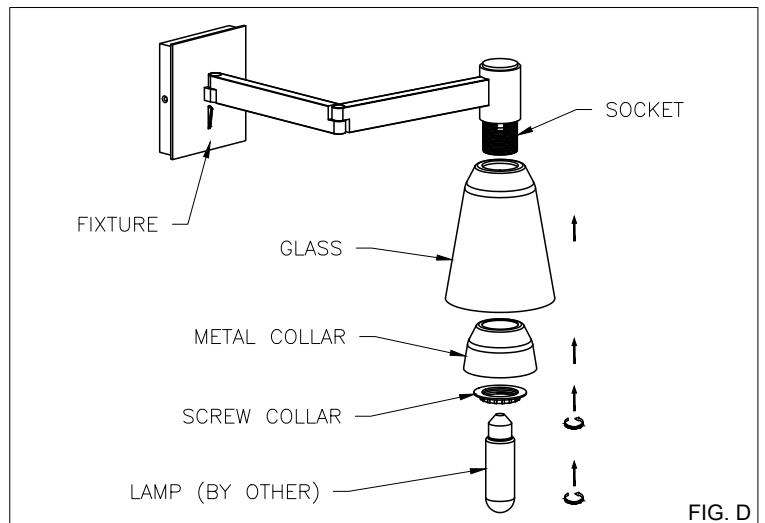
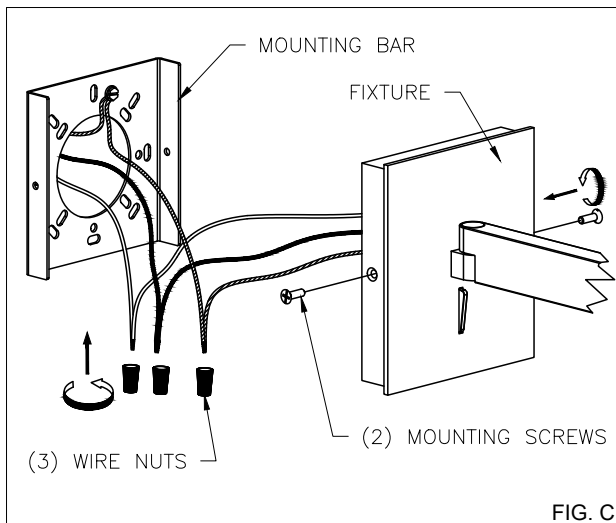
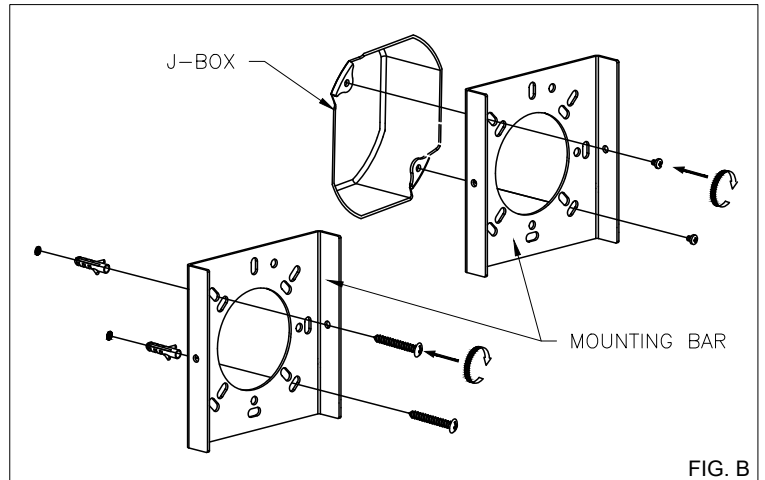
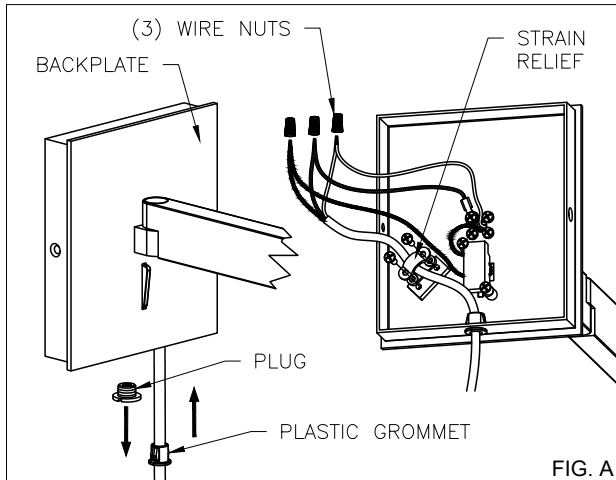
Norwell Lighting INSTRUCTIONS

8478

1. Attach the mounting bar/plate to the electrical junction box.
2. Connect the electrical wires from the junction box to the electrical wires from the fixture.
(Black to Black, White to White and Green to Ground)
3. Secure the fixture to the mounting bar/plate.

INSTALLATION OF FIXTURE

- 1) DETERMINE IF YOUR FIXTURE WILL BE HARDWIRED OR PLUG-IN. IF PLUG-IN THEN ATTACHED THE CORD TO THE FIXTURE. (BLACK TO BLACK, WHITE TO WHITE, GREEN TO GROUND) (SEE FIG. A)
- 2) ATTACH MOUNTING BAR TO J-BOX OR WALL WITH 2 SCREWS. (SEE FIG. B)
- 3) FOR HARDWIRE INSTALL TO J-BOX: CONNECT THE ELECTRICAL WIRES FROM YOUR J-BOX TO THE WIRES FROM THE CEILING PLATE USING WIRE NUTS. (BLACK TO BLACK, WHITE TO WHITE, GREEN TO GROUND) (SEE FIG. C)
- 4) ATTACH THE FIXTURE TO THE MOUNTING BAR, USING THE (2) MOUNTING SCREWS. (SEE FIG. C)
- 5) ATTACHED THE GLASS AND METAL COLLAR ONTO THE SOCKET BY SCREWING THE SCREW COLLAR ONTO THE SOCKET. (SEE FIG. D)
- 5) LAMP FIXTURE WITH THE REQUIRED NUMBER OF LAMPS AND WATTAGE PER FIXTURE.



- Be sure to read and understand all instruction sheets completely before beginning assembly or installation.
- Be sure the power is turned off by either by removing the fuse or closing the circuit breaker.
- All assembly and installation work must be in accordance with National, State and Local electrical codes. We strongly advise using a licensed electrician.
- Be aware that the weight of some fixtures may exceed the strength rating of the 4" electrical junction box or other such hardware at your site. In all cases, it is the responsibility of the contractor to properly secure the fixture to the structure, and to provide adequate support for the fixture.
- Due to constant production improvements, details of the design, material or finish may change in any way that will not significantly alter installed appearance or reduce function or performance.