

WARNING: DISCONNECT POWER AT THE MAIN FUSE BOX BEFORE INSTALLATION.

WARNING:

This fixture is intended for installation in accordance with the National Electrical Code (NEC) and all local code specifications. If you are not familiar with code requirements, installation by a certified electrician is recommended.

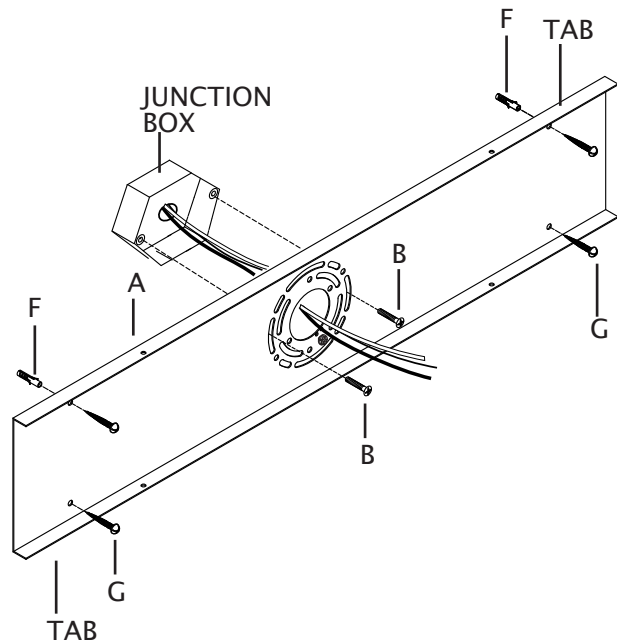
Before assembly, remove all parts and part packages from box. If anything is missing, please contact the retailer from which the product was purchased.

elk HOME

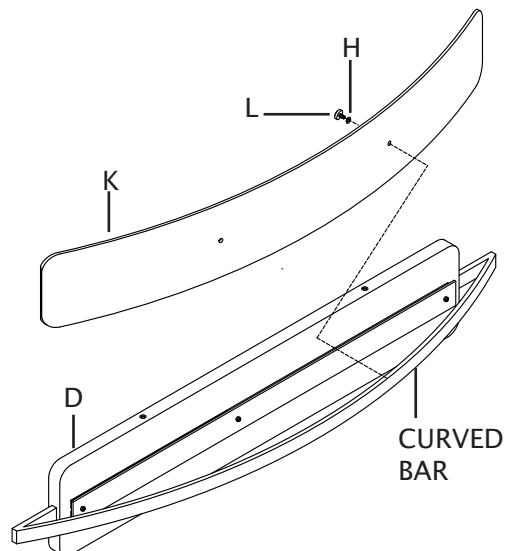
ANY QUESTIONS CALL: 800-613-3261
M-F 8:00AM-6:00PM ET

ITEM#: 85143/LED

1. Position mounting bracket (A) so the head of ground screw is facing outward. The tabs on mounting bracket (A) should be at the top and bottom and facing outward.
2. Temporarily place the mounting bracket (A) over the junction box. Align the holes in the center of mounting bracket (A) with holes in junction box. Mark on the wall the location of each hole in each corner of mounting bracket (A) (4 holes total). Place mounting bracket (A) aside.
3. Using a drill bit the appropriate size of the wall anchor (F), drill a hole at each marked location in the wall. Carefully insert wall anchor (F) into each hole in wall.
4. Position mounting bracket (A) so the head of ground screw is facing outward. The tabs on mounting bracket (A) should be at the top and bottom and facing outward.
5. Carefully pull house wires through hole in center of mounting bracket (A).
6. Align holes in each corner of mounting bracket (A) with each wall anchor (F). Align holes in center of mounting bracket (A) with each hole in junction box. Mounting bracket (A) should be level.
7. Thread each wall screw (G) into holes in corners of mounting bracket (A) and into wall anchors (F). DO NOT fully tighten wall screws (G) at this time.
8. Thread each junction box screw (B) into holes in center of mounting bracket (A) and into holes in junction box. Tighten junction box screws (B) and wall screws (G) to secure mounting bracket (A) to junction box. **CAUTION:** Make sure house wires are pulled completely through hole in mounting bracket. **DO NOT** pinch wires between mounting bracket and wall.

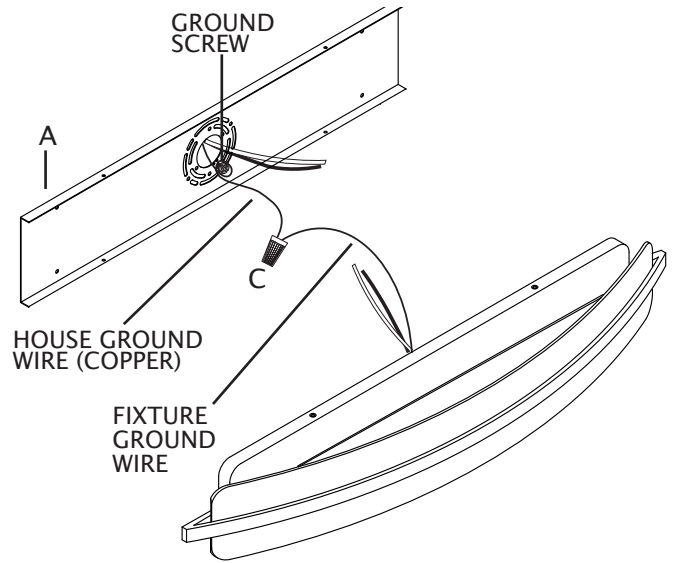


9. Hold shade (K) so curve is facing out. Place shade (K) behind curved bar on backplate (D). Align holes in shade (K) with holes on inside of curved bar.
10. Slip one washer (H) onto each thumbscrew (L). From the back of shade (K), thread one thumbscrew (L) into each hole in shade (K) and into holes in bar on backplate (D). Tighten thumbscrews (L) to secure shade (K) in place.



11. Strip 3/4" of insulation from ends of fixture wires.
12. Slightly loosen ground screw on mounting bracket (A). Do not completely remove ground screw. Wrap house ground wire (copper) around ground screw, leaving enough ground wire to attach to fixture ground wire. Twist end of fixture ground wire and end of house ground wire together. Twist wire nut (C) onto ends of wires. Completely tighten wire nut (C). Reference chart below for correct wire connections.

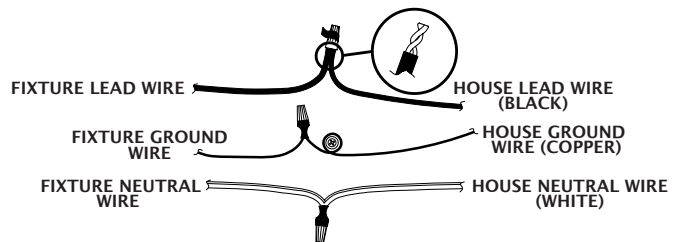
Connect Supply (House) Ground Copper Wire to:
Bare Copper Wire or,
Bare Silver Wire or,
Green Insulated Wire.



13. Twist end of house lead wire (black) and end of fixture lead wire together. Twist wire nut (C) onto ends of wires. Completely tighten wire nut (C). Twist end of house neutral wire (white) and end of fixture neutral wire together. Twist wire nut (C) onto ends of wires. Completely tighten wire nut (C). Reference chart to the right for correct wire connections.
14. Wrap electrical tape (not included) around wire nuts (C) and wires. Ensure wires are securely fastened into wire nuts.
15. Carefully push all wires and wire nuts into junction box.

Connect Black Lead Supply (House) Wire to:	Connect White Neutral Supply (House) Wire to:
Black Wire or,	White Wire or,
*Parallel Cord (Round and Smooth) or,	*Parallel Cord (Square and Ridged) or,
No printed words on wire insulation or,	Printed words on wire insulation or,
Insulated Wire (other than green) with Copper Conductor.	Insulated Wire (other than green) with Silver Conductor.

*When parallel wire (SPT 1 & SPT 2) is used: The lead wire is round in shape or smooth. The neutral wire is square in shape or ridged.



16. Place backplate (D) over mounting bracket (A). **CAUTION:** Do not pinch wires between backplate and wall.
17. Align holes in top and bottom of backplate (D) with holes in tabs on top and bottom of mounting bracket (A). Thread one fixture mounting screw (E) into each hole in backplate (D) and into holes in tabs on mounting bracket (A). Tighten fixture mounting screws (E) to secure fixture to wall.

