

# Norwell Lighting

Norwell Manufacturing Company, Inc.  
82 Stevens Street / East Taunton, MA 02718  
T 508-823-1751 / Service@Norwellinc.com

**CAUTION:** Be sure the power is turned off by either removing the fuse or closing the circuit breaker. Installation must be in compliance with National, State and Local electrical codes. Please use a licensed electrician

Each Norwell light fixture, with the exception of post-mounted lanterns, has a mounting bar or plate to secure it to the electrical junction box.

No matter what type of mounting bar/plate your fixture uses, installation requires three basic steps.

- A. Attach the mounting bar/plate to the electrical junction box.
- B. Connect the electrical wires from the junction box to the electrical wires of the light.
- C. Secure the fixture to the mounting bar/plate.

## A. Attaching the Mounting Bar/Plate

1. Carefully unpack your new fixture and lay all parts on a clean surface. Be careful not to lose any small parts necessary for the installation.
2. Pull the electrical wires part way out of the junction box for easier access.
3. Attach your light fixture's mounting bar to the electrical junction-box (fig. A)

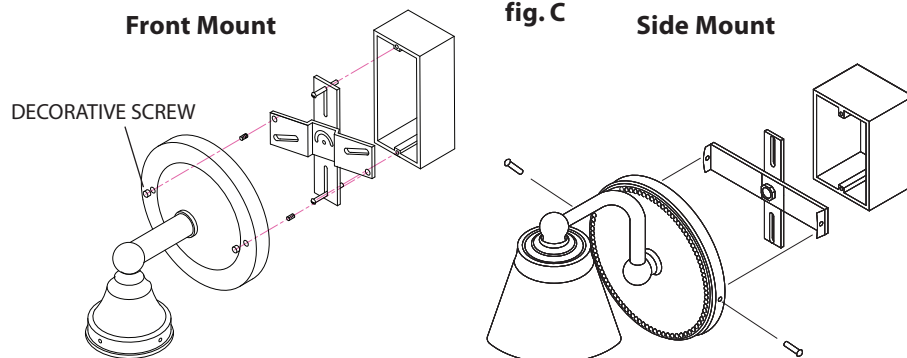
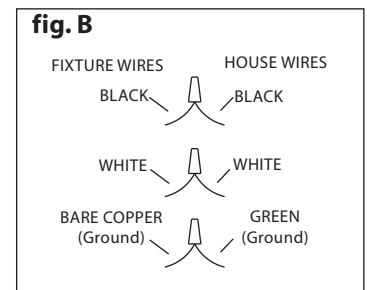
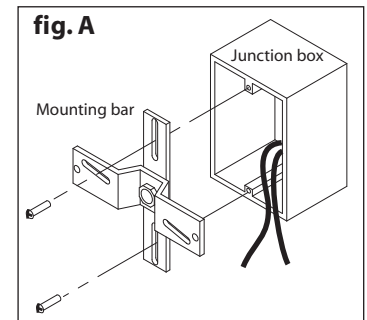
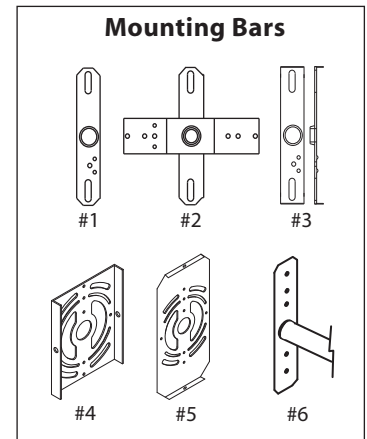
## B. Connecting the Electrical Wires

1. Connect the light fixture wires to the wires from the junction box as shown (fig. B) white to white, black to black and ground to ground. If there is no ground wire from the junction box, connect the fixture ground wire (green or copper) to the mounting bar with the green screw provided. Be certain that all connections are tight and NO bare wire is visible. (note: ground wire will show bare wire.)
2. Tuck the wires into the junction box.

## C. Securing the Light Fixture to the Mounting Bar

1. Place the light fixture against the outlet box and line up the mounting holes of the fixture with the matching holes in the mounting bar.
2. Secure the fixture to the mounting bar using the decorative screws provided with your fixture (fig. C).\*
3. Attach the glass shade (s) to your fixture using the decorative screws on the socket cup or with the screw collar found on the threaded socket.
4. Install the appropriate light bulb (s) and restore the power to the junction box.
5. Your installation is complete.

To clean your fixture, lightly dust with a soft cloth.  
DO NOT USE abrasives or ammonia.



**\*Note:** If your fixture has a sliding backplate loosen the set-screw and slide the backplate toward the socket (be careful not to scratch the finish). Mount the fixture to the box and wire the fixture as described in section B. When finished, slide the backplate against the wall and tighten the set-screw.

