

**WARNING:** DISCONNECT POWER AT THE MAIN FUSE BOX BEFORE INSTALLATION.

**WARNING:**

This fixture is intended for installation in accordance with the National Electrical Code (NEC) and all local code specifications. If you are not familiar with code requirements, installation by a certified electrician is recommended.

Before assembly, remove all parts and part packages from box. If anything is missing, please contact the retailer from which the product was purchased.

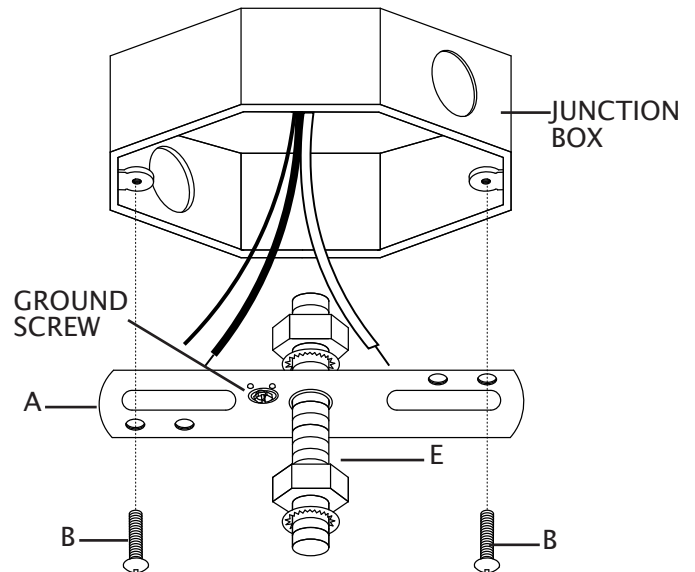
*elk* HOME

ANY QUESTIONS CALL: 800-613-3261  
M-F 8:30AM-5:00PM ET

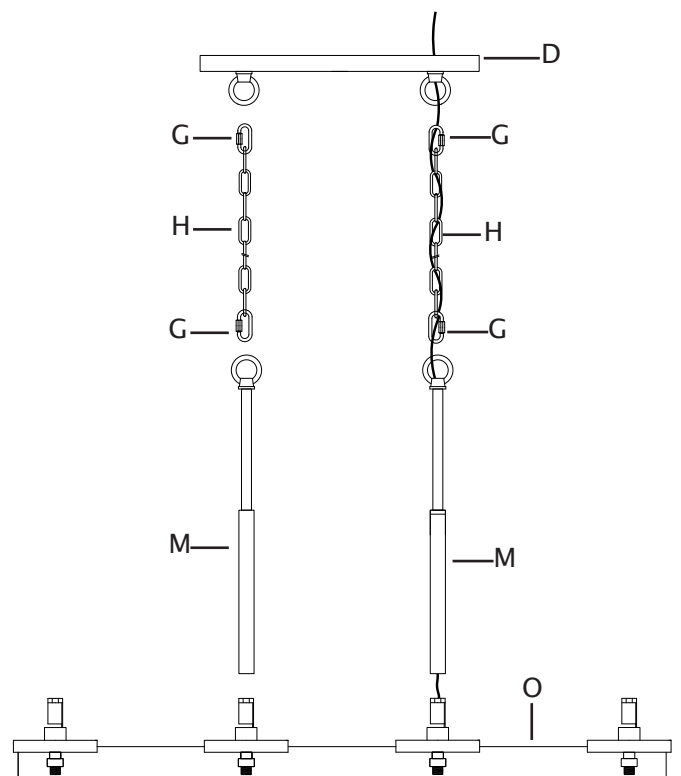
ITEM#: CN290883

1. Carefully pull house wires out of junction box so they are easily accessible during installation.
2. Position mounting bracket (A) so the head of the ground screw is facing down towards floor.
3. Align holes in mounting bracket (A) with holes in junction box.
4. Thread each junction box screw (B) into holes in mounting bracket (A) and into holes in junction box. Tighten junction box screws (B) to secure mounting bracket (A) to junction box.

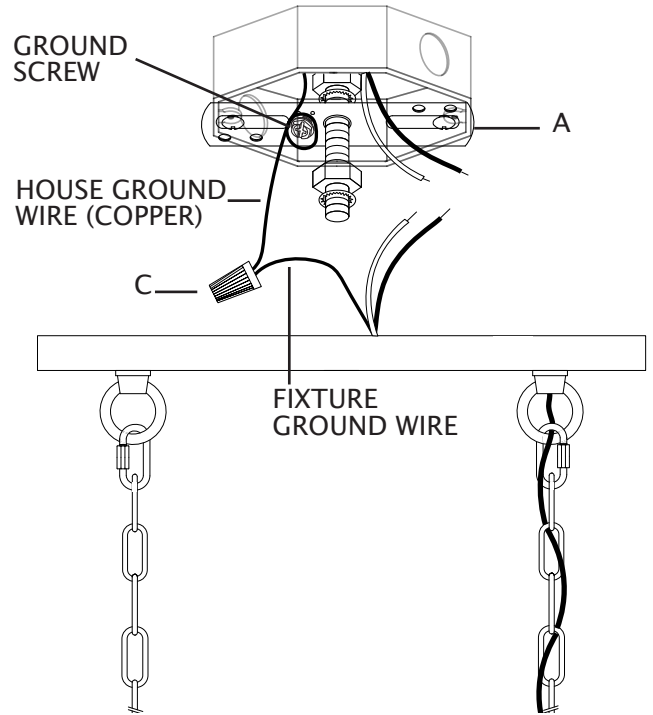
**CAUTION:** Make sure house wires are pulled completely through hole in mounting bracket. **DO NOT** pinch wires between mounting bracket and ceiling.



5. On side of fixture without fixture wires, thread the bottom of one stem (M) onto the threaded pipe on top of fixture body (O).
6. Attach one locking link to loop on top of stem (M).
7. On the side of the fixture with the fixture wires, carefully push fixture wires from the fixture body (O) up through the bottom of one stem (M). Pull fixture wires out of top of stem (M). Pull fixture wires taut. Thread stem (M) onto threaded pipe on top of fixture body (O).
8. Attach one locking link to loop on top of stem (M).
9. Determine desired hanging height of fixture. Cut chain (H) to length to achieve desired height. Ensure both chains are of equal length.
10. On side of fixture without wires, attach chain link at one end of chain to locking link (G) on loop on top of stem (M).
11. Attach another locking link (G) to other end of chain (H) and to one loop on canopy (D).
12. On side of fixture with fixture wires, attach chain link at one end of chain to locking link (G) on loop on top of stem (M).
13. Weave fixture wires through chain, skipping every other chain link.
14. Carefully push fixture wires through hole in center of loop on canopy (D) and through hole in canopy (D). Pull fixture wires taut.
15. Attach one locking link (G) to chain link at end of chain and to loop on canopy (D).



16. Strip 3/4" of insulation from ends of fixture wires.
17. Slightly loosen ground screw on mounting bracket (A). Do not completely remove ground screw. Wrap house ground wire (copper) around ground screw, leaving enough ground wire to attach to fixture ground wire. Twist end of fixture ground wire and end of house ground wire together. Twist wire nut (C) onto ends of wires. Completely tighten wire nut (C). Reference chart below for correct wire connections.

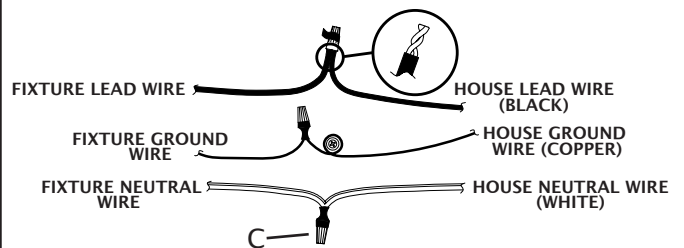


Connect Supply (House) Ground Copper Wire to:
Bare Copper Wire or,
Bare Silver Wire or,
Green Insulated Wire.

18. Twist end of house lead wire (black) and end of fixture lead wire together. Twist wire nut (C) onto ends of wires. Completely tighten wire nut (C). Twist end of house neutral wire (white) and end of fixture neutral wire together. Twist wire nut (C) onto ends of wires. Completely tighten wire nut (C). Reference chart to the right for correct wire connections.
19. Wrap electrical tape (not included) around wire nuts (C) and wires. Ensure wires are securely fastened into wire nuts.
20. Carefully push all wires and wire nuts into junction box.

Connect Black Lead Supply (House) Wire to:	Connect White Neutral Supply (House) Wire to:
Black Wire or,	White Wire or,
*Parallel Cord (Round and Smooth) or,	*Parallel Cord (Square and Ridged) or,
No printed words on wire insulation or,	Printed words on wire insulation or,
Insulated Wire (other than green) with Copper Conductor.	Insulated Wire (other than green) with Silver Conductor.

\*When parallel wire (SPT 1 & SPT 2) is used:  
The lead wire is round in shape or smooth.  
The neutral wire is square in shape or ridged.



21. Carefully raise fixture up to ceiling. Place canopy (D) of fixture over mounting bracket (A). Pass hole in canopy (D) over end of threaded pipe (E).
22. Screw hexnut (W) onto end of threaded pipe (E) protruding from canopy (D). Tighten hexnut (W) to secure fixture to ceiling.
23. Screw finial (F) onto end of threaded pipe (E). DO NOT over tighten.
24. Thread one bottom rod (P) onto each threaded pipe on the underside of each arm of fixture.
25. Pass hole in bottom of one shade (K) over socket.
26. Thread socket ring (L) onto socket. Tighten socket ring (L) to secure shade (K) in place. DO NOT over tighten.
27. Repeat steps 26 and 27 for remaining shades (K).
28. Screw recommended bulbs (E12 Candelabra bulb type, not included) into sockets. Verify correct bulb wattage marked on socket of fixture. **WARNING: DO NOT** exceed maximum bulb wattage.

