

**WARNING:** DISCONNECT POWER AT THE MAIN FUSE BOX BEFORE INSTALLATION.

**WARNING:**

This fixture is intended for installation in accordance with the National Electrical Code (NEC) and all local code specifications. If you are not familiar with code requirements, installation by a certified electrician is recommended.

Before assembly, remove all parts and part packages from box. If anything is missing, please contact the retailer from which the product was purchased.

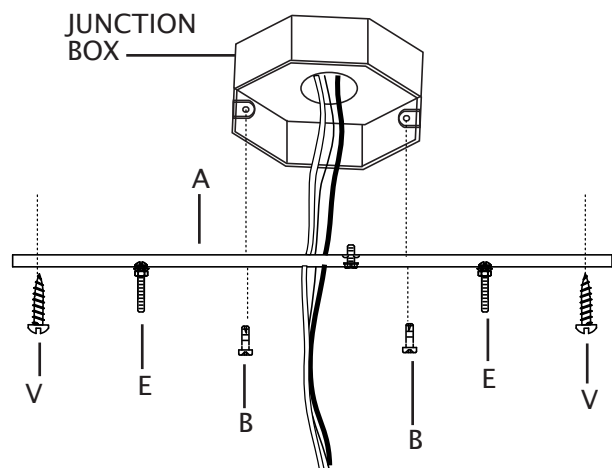
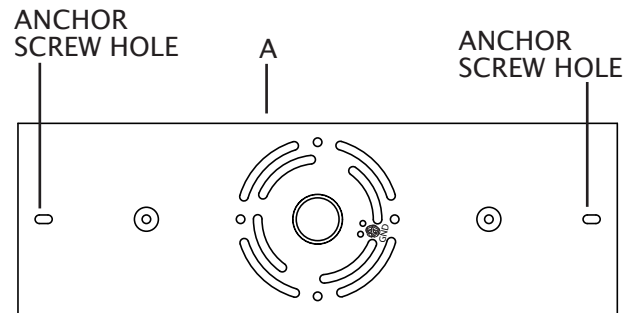
*elk* HOME

ANY QUESTIONS CALL: 800-613-3261  
M-F 8:00AM-6:00PM ET

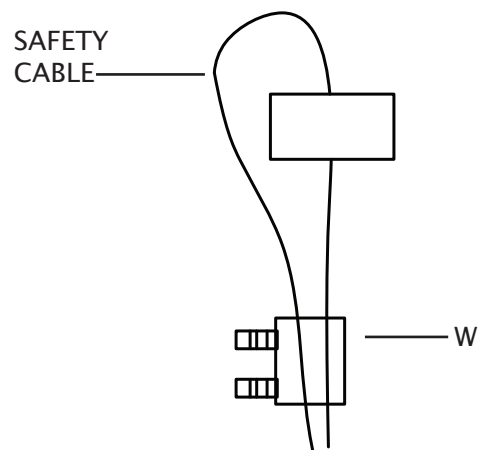
ITEM#: D3311

**IMPORTANT:** The screws (V) for the mounting bracket (A) must be installed into studs in ceiling.

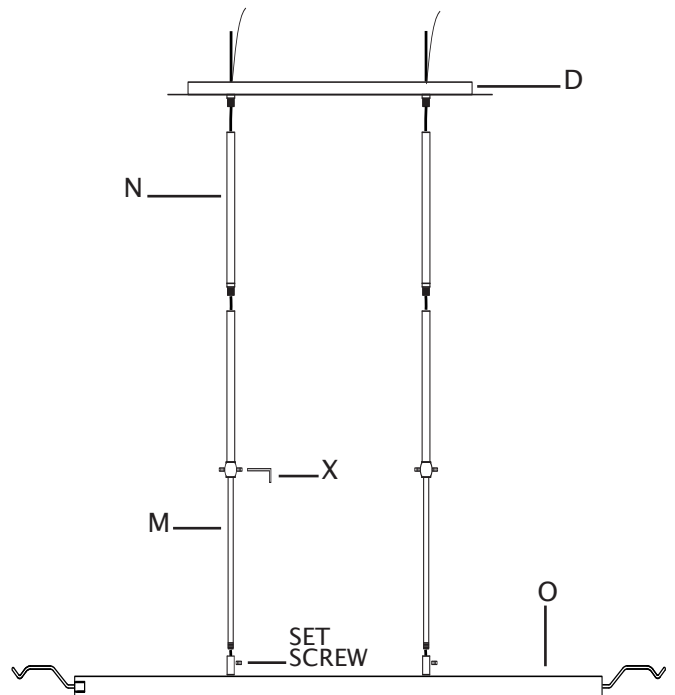
1. Position mounting bracket (A) so fixture mounting screws (E) attached to mounting bracket (A) are pointing down towards floor.
2. Align holes in mounting bracket with holes in junction box. Ensure that each hole at each end of mounting bracket align with studs in ceiling.
3. Carefully pull the house wires through hole in center of the mounting bracket (A).
4. Align holes in the mounting bracket (A) with holes in junction box.
5. Thread each junction box screw (B) into appropriate holes in mounting bracket (A) and into holes in junction box.
6. Thread each anchor screw (V) into each hole in mounting bracket (A).
7. Tighten junction box screws (B) and anchor screws (V) to attach mounting bracket (A) to junction box. **CAUTION:** Make sure house wires are still easily accessible. DO NOT pinch wires between mounting bracket and ceiling.



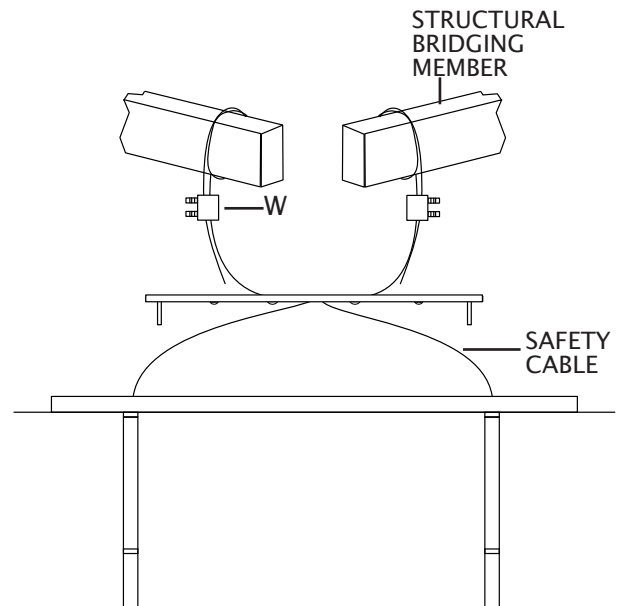
8. Remove clamps (W) from each safety cable.



9. Using hex wrench (X), loosen set screw on each coupling on top of fixture body (O).
10. Using hex wrench (X), loosen set screws on coupling on each stem (M).
11. Push fixture wires and safety cable up through bottom of stem (M) and then through bottom of stem (N). DO NOT connect stems together at this time.
12. Repeat step 11 for second side of fixture.
13. On each side of fixture, carefully push fixture wires and safety cables up through each threaded pipe on canopy (D).
14. On each side of fixture, thread top of stem (N) onto each threaded pipe on canopy (D).
15. On each side of fixture, thread the top of stem (M) onto the bottom of each stem (N).
16. Carefully pull each set of fixture wires and safety cables taut.
17. Insert the bottom of each stem (M) into each coupling on top of fixture body (O). Using hex wrench (X), tighten set screws on couplings on top of fixture body (O) and set screws on stems (M).

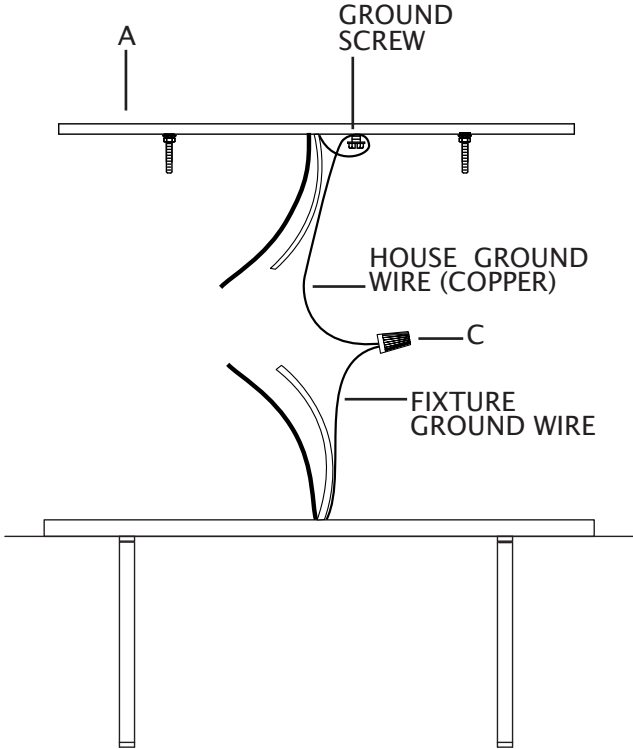


18. Slip one clamp (W) onto each safety cable. Slide each clamp (W) down towards canopy (D).
19. Carefully raise fixture to ceiling.
20. Wrap one safety cable around a structural bridging member (for example, 2x4) in the ceiling.
21. Slip end of safety cable through hole in clamp (W).
22. Wrap second safety cable around a structural bridging member (for example, 2x4) in the ceiling.
23. Slip end of safety cable through hole in clamp (W).
24. Carefully pull each safety cable to tighten safety cables around structural bridging members. Tighten screws on each clamp (W) to secure safety cables.



- 25. Strip 3/4" of insulation from ends of fixture wires.
- 26. Slightly loosen ground screw on mounting bracket (A). Do not completely remove ground screw. Wrap house ground wire (copper) around ground screw, leaving enough ground wire to attach to fixture ground wire. Twist end of fixture ground wire and end of house ground wire (copper) together. Twist wire nut (C) onto ends of wires. Completely tighten wire nut (C). Reference chart below for correct wire connections.

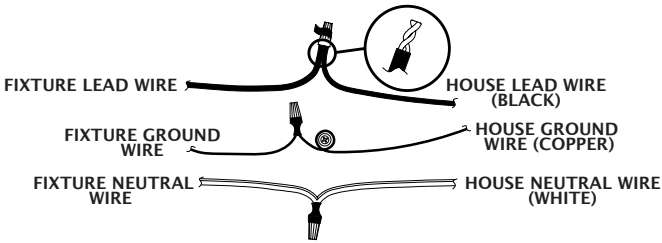
Connect Supply (House) Ground Copper Wire to:
Bare Copper Wire or,
Bare Silver Wire or,
Green Insulated Wire.



- 27. Twist end of house lead wire (black) and end of fixture lead wire together. Twist wire nut (C) onto ends of wires. Completely tighten wire nut (C). Twist end of house neutral wire (white) and end of fixture neutral wire together. Twist wire nut (C) onto ends of wires. Completely tighten wire nut (C). Reference chart to the right for correct wire connections.
- 28. Wrap electrical tape (not included) around wire nuts (C) and wires. Ensure wires are securely fastened into wire nuts.
- 29. Carefully push all wires and wire nuts into junction box.

Connect Black Lead Supply (House) Wire to:	Connect White Neutral Supply (House) Wire to:
Black Wire or,	White Wire or,
*Parallel Cord (Round and Smooth) or,	*Parallel Cord (Square and Ridged) or,
No printed words on wire insulation or,	Printed words on wire insulation or,
Insulated Wire (other than green) with Copper Conductor.	Insulated Wire (other than green) with Silver Conductor.

\*When parallel wire (SPT 1 & SPT 2) is used:  
The lead wire is round in shape or smooth.  
The neutral wire is square in shape or ridged.



30. Carefully raise fixture up to ceiling. Pass holes in canopy (D) over ends of fixture mounting screws (E) on mounting bracket (A).
31. Screw one threaded cap (F) onto end of each fixture mounting screw (E). Tighten threaded caps (F) to secure fixture to ceiling.
32. Screw recommended bulbs (E12 Candelabra bulb type, not included) into sockets. Verify correct bulb wattage marked on socket of fixture. **WARNING: DO NOT** exceed maximum bulb wattage.
33. Carefully slip hole in top of one glass panel (K) over the end of each arm.

