

WARNING: DISCONNECT POWER AT THE MAIN FUSE BOX BEFORE INSTALLATION.

WARNING:

This fixture is intended for installation in accordance with the National Electrical Code (NEC) and all local code specifications. If you are not familiar with code requirements, installation by a certified electrician is recommended.

Before assembly, remove all parts and part packages from box. If anything is missing, please contact the retailer from which the product was purchased.

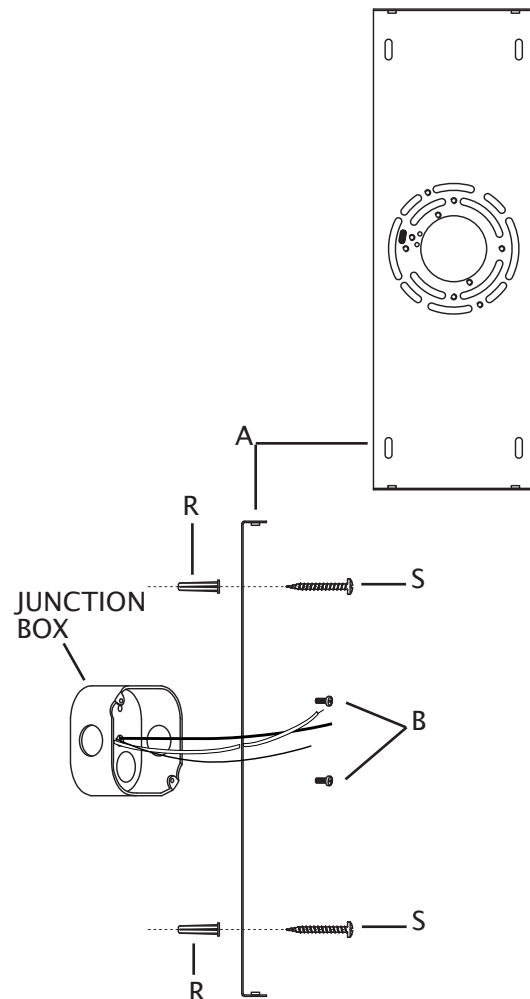
elk HOME

ANY QUESTIONS CALL: 800-613-3261
M-F 8:00AM-6:00PM ET

ITEM#: D4244

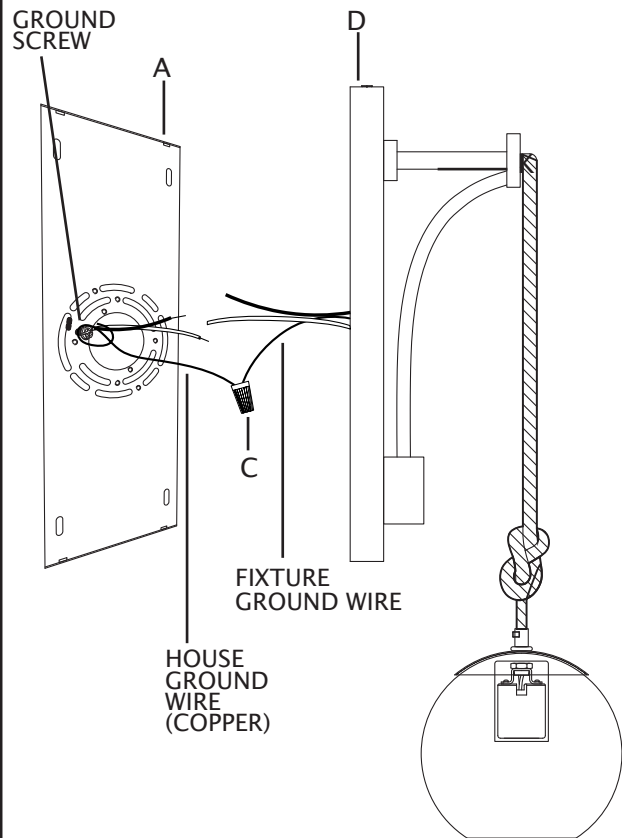
1. Position mounting bracket (A) so head of ground screw in mounting bracket (A) is pointing outward.
2. Place mounting bracket (A) over junction box. Align holes in mounting bracket (A) with holes in junction. Ensure mounting bracket is level.
3. Mark on the wall the location of each hole in the four corners of the mounting bracket (A). Set mounting bracket (A) aside.
4. Using a drill bit the appropriate size for the wall anchors (R), drill a hole in the wall at each marked location.
5. Using a hammer, carefully tap one wall anchor (R) into each hole in wall. Top of wall anchor (R) should be flush with wall.
6. Position mounting bracket (A) so head of ground screw in mounting bracket (A) is pointing outward. Place mounting bracket (A) over junction box. Carefully pull house wires through hole in center of mounting bracket (A).
7. Align holes in each corner of mounting bracket (A) with wall anchors (R). Thread one anchor screw (S) into each hole in corners of mounting bracket (A) and into wall anchors (R). DO NOT completely tighten screws (S).
8. Align slotted holes in mounting bracket (A) with each hole in junction box. Thread one junction box screw (B) into each slot in mounting bracket (A) and into holes in junction box.
9. Completely tighten junction box screws (B) and wall anchor screws (S) to secure mounting bracket (A) to junction box.

CAUTION: Make sure house wires are pulled completely through hole in mounting bracket. **DO NOT** pinch wires between mounting bracket and wall.



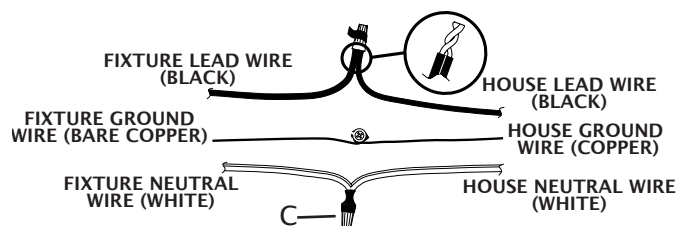
10. Strip 3/4" of insulation from ends of fixture wires.
11. Slightly loosen ground screw on mounting bracket (A). Do not completely remove ground screw. Wrap ground wire from junction box around ground screw, leaving enough ground wire to attach to fixture ground wire. Twist end of fixture ground wire and end of house ground wire together. Twist wire nut (C) onto ends of wires. Completely tighten wire nut (C). Reference chart below for correct wire connections.

| |
|---|
| Connect Supply (House) Ground Copper Wire to: |
| Bare Copper Wire or, |
| Bare Silver Wire or, |
| Green Insulated Wire. |



12. Twist end of house lead wire (black) and end of fixture lead wire (black) together. Twist wire nut (C) onto ends of wires. Completely tighten wire nut (C). Twist end of house neutral wire (white) and end of fixture neutral wire (white) together. Twist wire nut (C) onto ends of wires. Completely tighten wire nut (C).
13. Wrap electrical tape (not included) around wire nuts (C) and wires. Ensure wires are securely fastened into wire nuts.
14. Carefully push all wires and wire nuts into junction box.

| Connect Black Lead Supply (House) Wire to: | Connect White Neutral Supply (House) Wire to: |
|--|--|
| Black Wire or, | White Wire or, |
| *Parallel Cord (Round and Smooth) or, | *Parallel Cord (Square and Ridged) or, |
| No printed words on wire insulation or, | Printed words on wire insulation or, |
| Insulated Wire (other than green) with Copper Conductor. | Insulated Wire (other than green) with Silver Conductor. |
| *When parallel wire (SPT 1 & SPT 2) is used: The lead wire is round in shape or smooth. The neutral wire is square in shape or ridged. | |



15. Place backplate (D) over mounting bracket (A). Align holes in top and bottom of backplate (D) with holes in top and bottom of mounting bracket (A). Thread one fixture mounting screw (E) into each hole in top and bottom of backplate (D) and into holes in top and bottom of mounting bracket. Tighten fixture mounting screws (E) to secure fixture to mounting bracket (A).
16. Screw recommended bulb (E26 Edison bulb type, not included) into sockets. Verify correct bulb wattage marked on socket of fixture. **WARNING:** DO NOT exceed maximum bulb wattage.

