

**WARNING:**

This fixture is intended for installation in accordance with the National Electrical Code (NEC) and all local code specifications. If you are not familiar with code requirements, installation by a certified electrician is recommended.



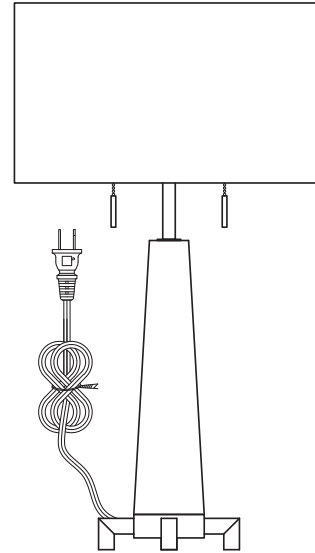
ANY QUESTIONS CALL: 800-613-3261  
M-F 8:00AM-6:00PM ET

**CAUTION:** To prevent shock, only plug in lamp after lamp assembly is complete.

**WARNING:** This portable lamp has a polarized plug (one blade is wider than the other). As a safety feature, this plug will fit in a polarized outlet only one way. If the plug does not fit fully in the outlet, reverse the plug. If it still does not fit, contact a qualified electrician. Never use with an extension cord unless plug can be fully inserted. Do not attempt to work around this safety feature.

Before assembly, remove all parts and part packages from box. If anything is missing, please contact the retailer from which the product was purchased.

ITEM#: D4267



1. Pull lamp cord from lamp base (B). Make sure lamp cord is pulled taut.
2. Screw center column (C) onto top of lamp base (B). DO NOT pinch lamp cord between center column (C) and lamp base (B). Keep lamp cord pulled taut.
3. Screw socket assembly (A) onto top of center column (C). **CAUTION:** DO NOT pinch lamp cord between center column (C) and socket cluster (A).
4. Hold center pipe (D) so bead on center pipe (D) is at the top. Thread bottom of center pipe (D) into coupling in top of socket cluster (A).
5. Lower shade (E) down over center pipe (D). Pass hole in center of shade bracket over top of center pipe (D).
6. Carefully screw finial (F) onto end of center pipe (D) protruding from top of shade (E). Tighten finial (F) to secure shade (E) in place. DO NOT over tighten.
7. Insert recommended bulbs (not included) into sockets. **WARNING:** Verify correct bulb wattage marked on socket of lamp. DO NOT exceed maximum bulb wattage.

