

WARNING: DISCONNECT POWER AT THE MAIN FUSE BOX BEFORE INSTALLATION.

WARNING:

This fixture is intended for installation in accordance with the National Electrical Code (NEC) and all local code specifications. If you are not familiar with code requirements, installation by a certified electrician is recommended.

Before assembly, remove all parts and part packages from box. If anything is missing, please contact the retailer from which the product was purchased.



ANY QUESTIONS CALL: 800-613-3261
M-F 8:00AM-6:00PM ET

ITEM#: D4298

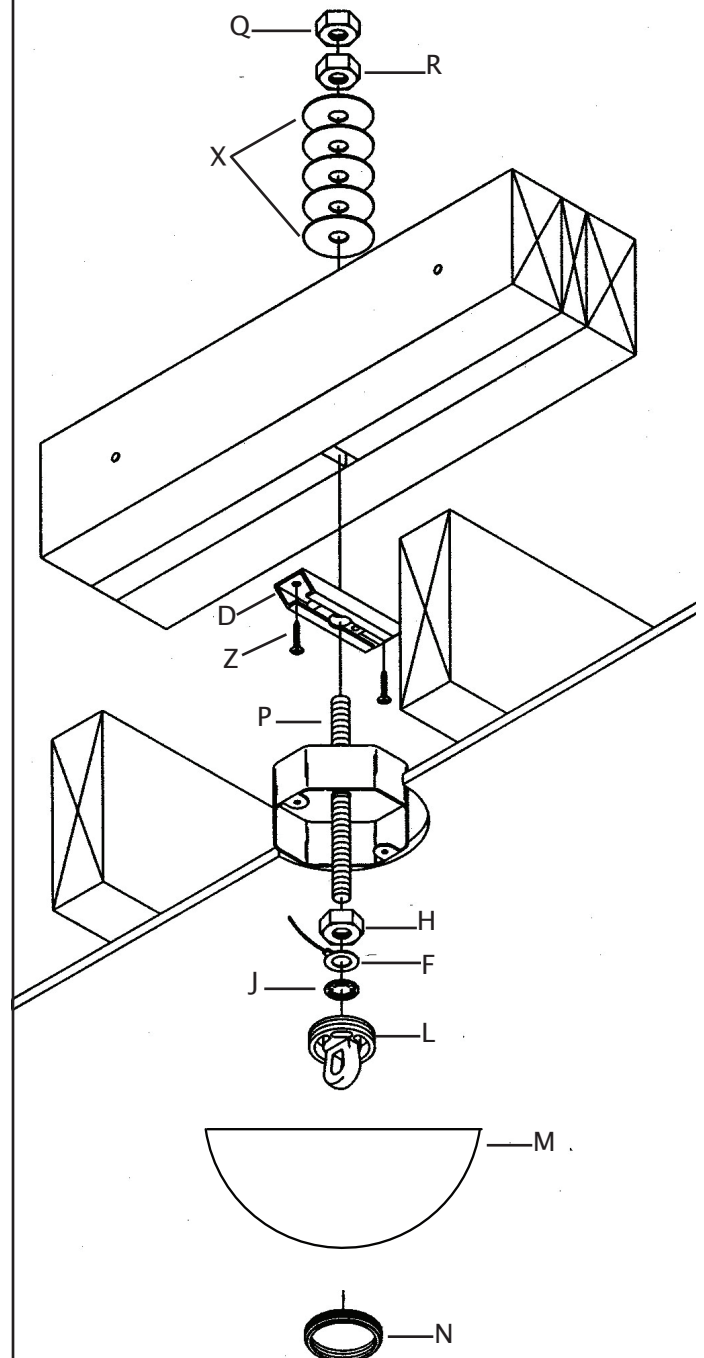
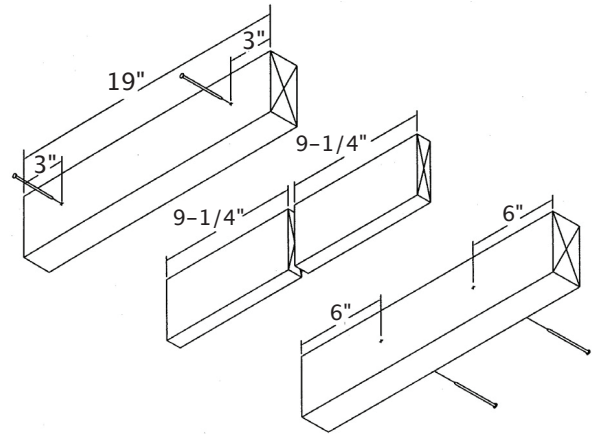
**ASSEMBLY AND INSTALLATION INSTRUCTIONS – IMPORTANT! GENERAL INSTRUCTIONS –
READ THIS PAGE FIRST.**

1. Read and understand all instructions completely, both front and back before proceeding with assembly and installation of this fixture.
2. If you have doubts about how to install a lighting fixture or if fixture fails to operate correctly, please contact a local qualified licensed electrical contractor.
3. Before you start:
 - a) NEVER attempt to do any work without shutting off the electricity until the work is complete. Go to the main fuse box in your home. Place main power switch to “off” position.
 - b) Unscrew the fuse or fuses that control the power to the fixture or room that you are working on.
 - c) Turn fixture to be replaced off. Place wall switch in off position. If fixture to be replaced has built in switch or pull chain, place those in off position.
4. All parts must be used as indicated in the assembly/installation instructions. Do not substitute any other parts, leave any parts out, or use any parts which are worn out or broken. Failure to obey this instruction could invalidate the U.L. listing and/or C.S.A. certification of this fixture.
5. Be sure to use light bulbs with wattage no greater than specified on this fixture. Be certain electric current is turned off before changing bulb.
6. If a green insulated wire or bare copper or silver wire is included with this fixture be certain never to attach this wire to the “hot” current carrying supply wire.
7. If parts need to be replace use only authorized replacement parts.
8. For chain hung fixtures, ensure fixture is supported only by chain and not by wire.
9. Keep this sheet in a safe place and review it before doing any work on this fixture.
10. The hand-crafted beauty of this fixture is the result of tasteful design, experienced engineering, careful craftsmanship and a dedication to customer satisfaction. You will be assured years of service and enjoyment if you read and observe the following list of product care suggestions:
 - Be certain electric current is turned off before cleaning.
 - Clean metal components with a soft cloth, moistened with a mild liquid soap solution. Wipe clean and buff with a soft dry cloth. Under no circumstances should any metal polish be used, as its abrasive nature could damage the protective finish placed on the metal parts.
 - Wood components may be polished with a fine furniture polish, taking care to avoid getting the polish on the metal surfaces.
 - Never wash glass shades in an automatic dishwasher. To wash glass shades, line a sink with a towel and fill with warm water and a mild liquid soap. Wash glass with a soft cloth, rinse and wipe dry.

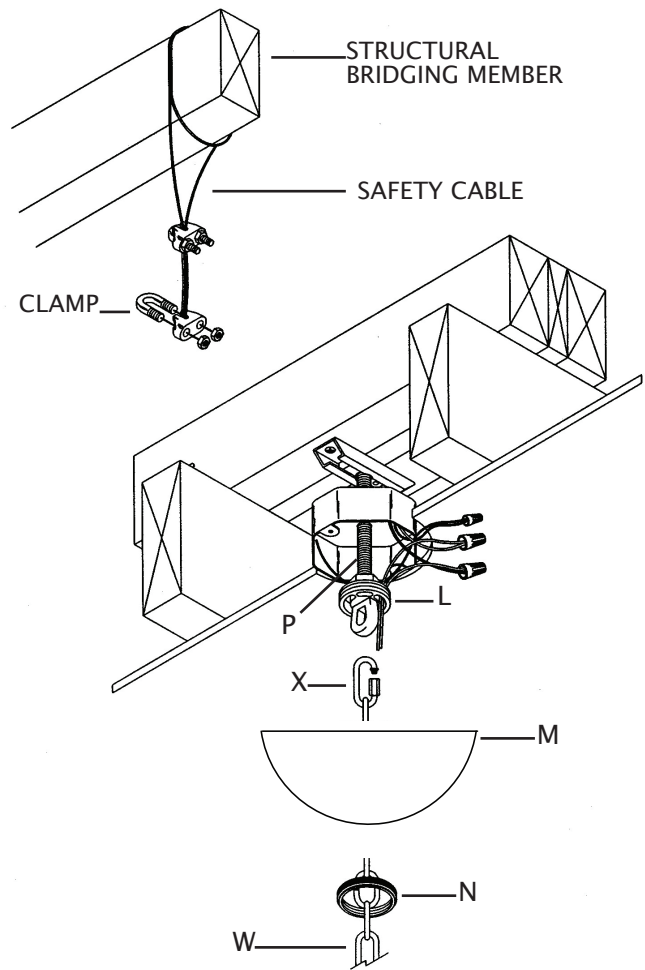
MEANS OF SUPPORT MUST BE ERECTED ABOVE OUTLET BOX. BELOW IS ONE SUGGESTED METHOD FOR JOIST 16" ON CENTER WITH FIXTURE CENTERED BETWEEN JOISTS, AS SHOWN.

1. To erect means of support four pieces of lumber will be required (not included). Two 2x4's at min. of 19" long. Two 1x4's at min. 9 1/4" long.
2. Lay one 2x4 on flat surface suitable and stable for nailing.
3. Lay the two 1x4's on 2x4 allowing 1/2" gap between ends of 1x4's at center.
4. Lay remaining 2x4 on top of 1x4's and nail pieces together using 3 1/8" long 12d nails (not included) on center at approximately 3" from each end.
5. Turn assembled lumber over and nail two more nails in at approximately 6" from each end.
6. Turn off power.
7. If fixture is provided with a safety cable it must pass through outlet box.
8. Drill 3/16" diameter hole in outlet box if no other holes are available.
9. Remove knockout in top of outlet box.
10. Align hole in mounting strap (D) with gap between 1x4's and secure to 2x4's using provided #10 sheet metal screws (Z).
11. In area above outlet box lay assembled lumber from steps 1-5 over ceiling joist (with mounting strap down) aligning gap between 1x4's with knockout removed in outlet box.
12. Screw hexnut (H) onto threaded rod (P).
13. Slip ground lug (F) and lockwasher (J) onto threaded rod (P).
14. Thread screw collar loop (L) onto threaded rod (P) until threaded pipe is flush with hole on lower side of screw collar loop or threaded rod bottoms out.
15. Secure screw collar loop (L) in place by tightening hexnut (H) down against ground lug (F), lockwasher (J) and screw collar loop.
16. Temporarily slip canopy (M) over screw collar loop (L). Approximately one half of the screw collar loop exterior threads should be exposed below canopy.
17. Temporarily screw threaded ring (N) onto screw collar loop (L).
18. In area above outlet box pull up on threaded rod (P) until canopy is snug against ceiling.
19. Slide flat washers (X) down threaded rod and against top of lumber assembly. Secure in place by running jam nuts (Q & R) down against flat washer.
20. Secure lumber assembly in place by toe-nailing or other means.
21. Tighten anti-rotational screw located next to center hole inside mounting strap (D) with provided wrench.
22. Remove threaded ring (N) and canopy (M).

WARNING: TO ENSURE PERSONAL SAFETY AND TO PREVENT DAMAGE TO YOUR HOME CONSULT A QUALIFIED BUILDER OR ARCHITECT BEFORE INSTALLING A FIXTURE HEAVIER THAN 50 LBS. TO THE JOIST OR TRUSS SYSTEM OF YOUR HOME.

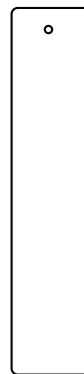
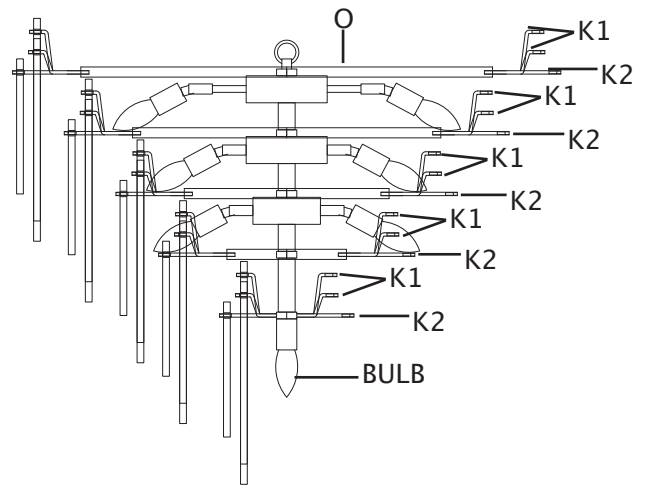


1. Turn off power.
2. Attach chain to fixture. Fixture loop has one chain link factory installed. Chain has one locking link at each end. Unscrew coupling on locking link and slip over link attached to loop. Screw coupling closed.
3. Slip threaded ring (N) then canopy (M) onto chain (W)
4. Attach chain (with fixture connected) to bottom of screw collar loop following the same procedure as in step 1.
5. Weave electrical wire, ground wire and safety cable through chain links no more than 3 inches apart.
6. Pass electrical wire ground wire and safety cable through threaded ring (N), canopy (M), one of the slots in screw collar loop (L) and into outlet box.
7. Pass safety cable through hole (See sec. 1)
8. In area above outlet box wrap cable around one of the 2 x 4's erected in section 1 and pull cable
9. Secure cable with (2) clamps provided. **NOTE:** Cable is not to be used as the only means of fixture support. Please follow independent mounting instructions completely.
10. Connect fixture ground wire and ground wire attached to threaded rod (B or P) to outlet box ground wire with wire connector (not provided). Never connect ground wire to black or white power supply wires.
11. Make wire connections (connectors not provided). Reference chart below for correct connections and wire accordingly.
12. Raise canopy (M) to ceiling.
13. Secure canopy (M) in place by screwing threaded ring (N) onto screw collar loop (L).

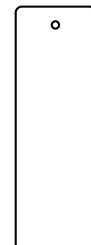


Connect Black Lead Supply (House) Wire to:	Connect White Neutral Supply (House) Wire to:
Black Wire or,	White Wire or,
*Parallel Cord (Round and Smooth) or,	*Parallel Cord (Square and Ridged) or,
No printed words on wire insulation or,	Printed words on wire insulation or,
Insulated Wire (other than green) with Copper Conductor.	Insulated Wire (other than green) with Silver Conductor.
*When parallel wire (SPT 1 & SPT 2) is used: The lead wire is round in shape or smooth. The neutral wire is square in shape or ridged.	

14. Screw recommended bulbs (E12 Candelabra bulb type, not included) into sockets. Verify correct bulb wattage marked on socket of fixture.
WARNING: DO NOT exceed maximum bulb wattage.
15. Carefully slip hole in top of one glass panel (K1 and K2) over the end of each arm. Refer to diagrams at right and below for correct placement of glass panels (K1 and K2).



K1



K2