

WARNING: DISCONNECT POWER AT THE MAIN FUSE BOX BEFORE INSTALLATION.

WARNING:

This fixture is intended for installation in accordance with the National Electrical Code (NEC) and all local code specifications. If you are not familiar with code requirements, installation by a certified electrician is recommended.

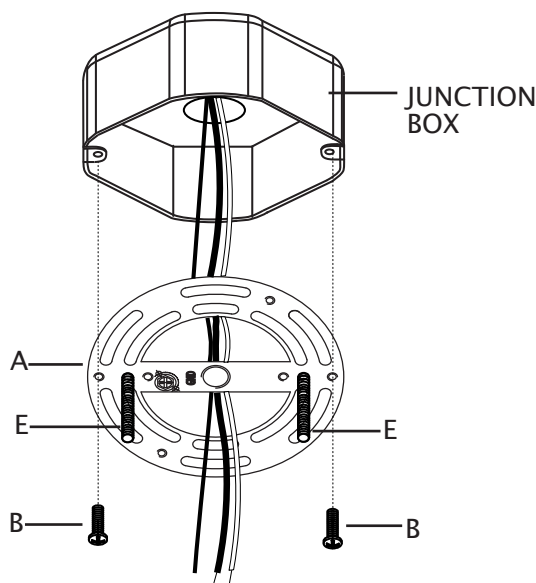
Before assembly, remove all parts and part packages from box. If anything is missing, please contact the retailer from which the product was purchased.

elk HOME

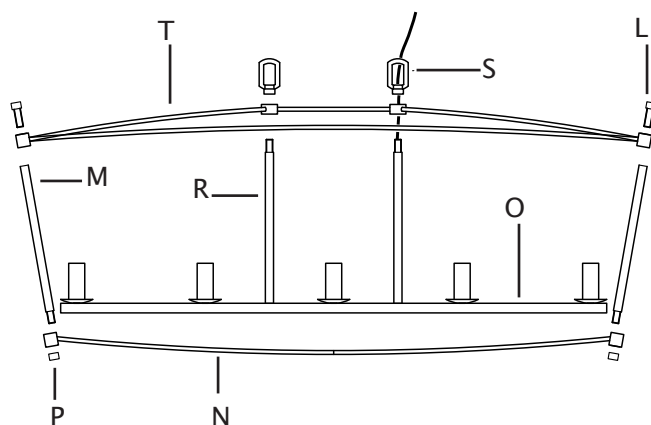
ANY QUESTIONS CALL: 800-613-3261
M-F 8:00AM-6:00PM ET

ITEM#: D4462

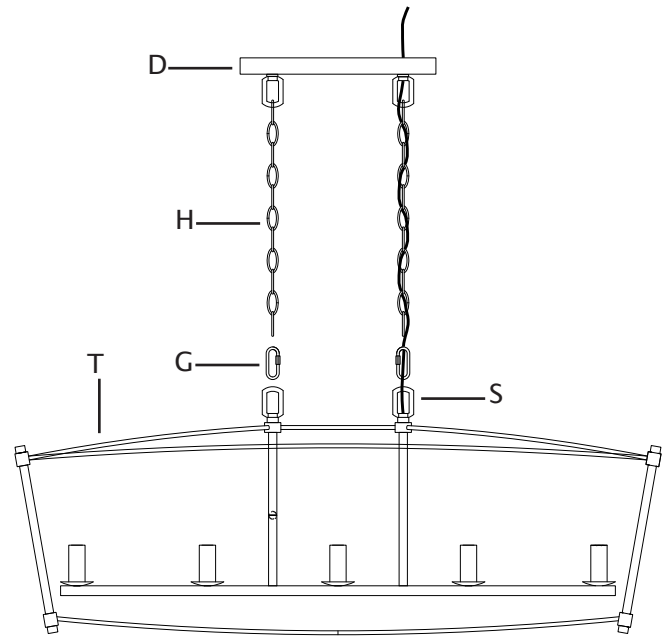
1. Carefully pull house wires out of junction box so they are easily accessible during installation.
2. Position mounting bracket (A) so threaded ends of attached fixture mounting screws (E) are facing down towards floor.
3. Carefully pull house wires through center hole in mounting bracket (A).
4. Align small holes in mounting bracket (A) with holes in junction box.
5. Thread each junction box screw (B) into holes in mounting bracket (A) and into holes in junction box. Tighten junction box screws (B) to secure mounting bracket (A) to junction box. **CAUTION:** Make sure house wires are pulled completely through hole in mounting bracket. **DO NOT** pinch wires between mounting bracket and ceiling.



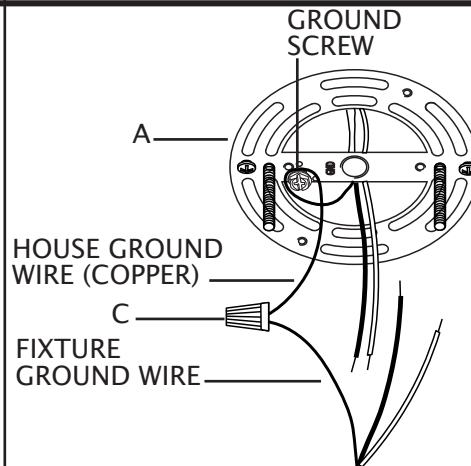
6. Slip end of one rod (M) into holes in each corner of bottom frame (N). Thread one finial (P) onto end of each rod (M) protruding from bottom frame (N). **DO NOT** tighten finials (P). This will be done after all the parts are assembled.
7. On side of fixture without fixture wires, screw one stem (R) onto coupling on top of fixture body (O).
8. On side of fixture with fixture wires, push fixture wires up through bottom of one stem (R). Screw bottom of stem (R) onto coupling on fixture body (O).
9. Lower top frame (T) down over fixture. Push fixture wires up through one center hole in top frame (T). Pass holes in center of top frame (T) over ends of stems (R). Pass holes in each corner of top frame (R) over ends of rods (M). Thread one threaded stud (L) into each hole in corners of top frame (T) and into rods (M).
10. Fully tighten all finials (P) on bottom frame (N) and threaded studs (L) on top frame (T).
11. On side of fixture with fixture wires, push fixture wires up through bottom of one loop (S). Thread bottom of loop (S) onto end of stem (R) protruding from top frame (T).
12. On side of fixture without fixture wires, thread second loop (S) onto end of second stem (R) protruding from the top frame (T).



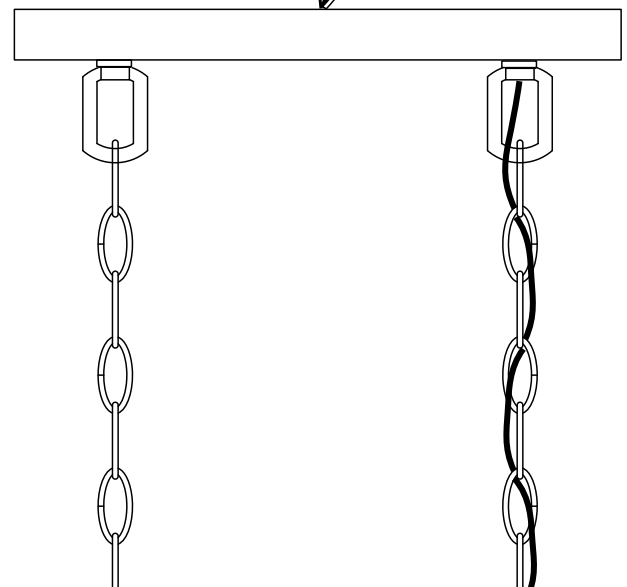
13. Determine the desired height of the hanging fixture. If needed, remove chain links from each length of chain (H) to achieve desired height. Make sure chains (H) are the same length.
14. On side of fixture without fixture wires, attach last chain link on the chain (H) to the locking link (G) on the loop (S) on top of top frame (T).
15. On side of fixture with fixture wires, attach last chain link on the chain (H) to locking link (G) on the loop (S) on top of the top frame (T).
16. Weave the fixture wires through the chain (H), skipping every other chain link.
17. Carefully push the fixture wires through loop on canopy (D) and up through hole in canopy (D). Attach last chain link on end of the chain (H) to loop on canopy (D).
18. On side of fixture without wires, attach last chain link on end of the chain (H) to loop on canopy (D).



19. Strip 3/4" of insulation from ends of fixture wires.
20. Slightly loosen ground screw on mounting bracket (A). Do not completely remove ground screw. Wrap house ground wire (copper) around ground screw, leaving enough ground wire to attach to fixture ground wire. Twist end of fixture ground wire and end of house ground wire (copper) together. Twist wire nut (C) onto ends of wires. Completely tighten wire nut (C). Reference chart below for correct wire connections.

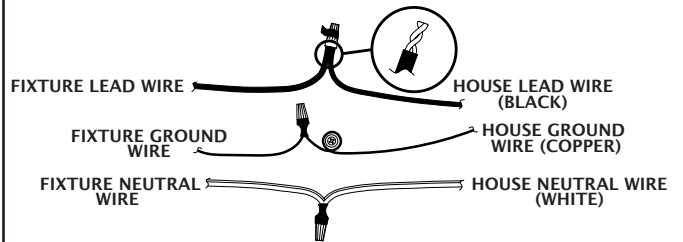


Connect Supply (House) Ground Copper Wire to:
Bare Copper Wire or,
Bare Silver Wire or,
Green Insulated Wire.



21. Twist end of house lead wire (black) and end of fixture lead wire together. Twist wire nut (C) onto ends of wires. Completely tighten wire nut (C). Twist end of house neutral wire (white) and end of fixture neutral wire together. Twist wire nut (C) onto ends of wires. Completely tighten wire nut (C). Reference chart to the right for correct wire connections.
22. Wrap electrical tape (not included) around wire nuts (C) and wires. Ensure wires are securely fastened into wire nuts.
23. Carefully push all wires and wire nuts into junction box.

Connect Black Lead Supply (House) Wire to:	Connect White Neutral Supply (House) Wire to:
Black Wire or,	White Wire or,
*Parallel Cord (Round and Smooth) or,	*Parallel Cord (Square and Ridged) or,
No printed words on wire insulation or,	Printed words on wire insulation or,
Insulated Wire (other than green) with Copper Conductor.	Insulated Wire (other than green) with Silver Conductor.
*When parallel wire (SPT 1 & SPT 2) is used: The lead wire is round in shape or smooth. The neutral wire is square in shape or ridged.	



24. Carefully raise fixture up to ceiling. Place canopy (D) over mounting bracket (A). Pass holes in canopy (D) over ends of fixture mounting screws (E).
25. Screw one threaded cap (F) onto end of each fixture mounting screw (E). Tighten threaded caps (F) to secure fixture to ceiling. DO NOT over tighten.
26. Screw recommended bulb (E12 candelabra bulb type, not included) into socket. Verify correct bulb wattage marked on socket of fixture.
WARNING: DO NOT exceed maximum bulb wattage.

