

**WARNING:** DISCONNECT POWER AT THE MAIN FUSE BOX BEFORE INSTALLATION.

**WARNING:**

This fixture is intended for installation in accordance with the National Electrical Code (NEC) and all local code specifications. If you are not familiar with code requirements, installation by a certified electrician is recommended.

Before assembly, remove all parts and part packages from box. If anything is missing, please contact the retailer from which the product was purchased.

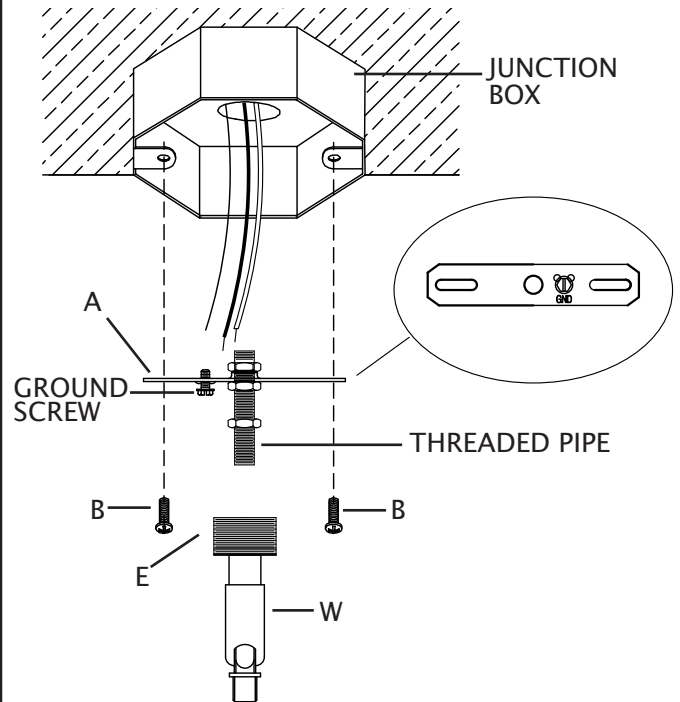
*elk* HOME

ANY QUESTIONS CALL: 800-613-3261

M-F 8:00AM-6:00PM ET

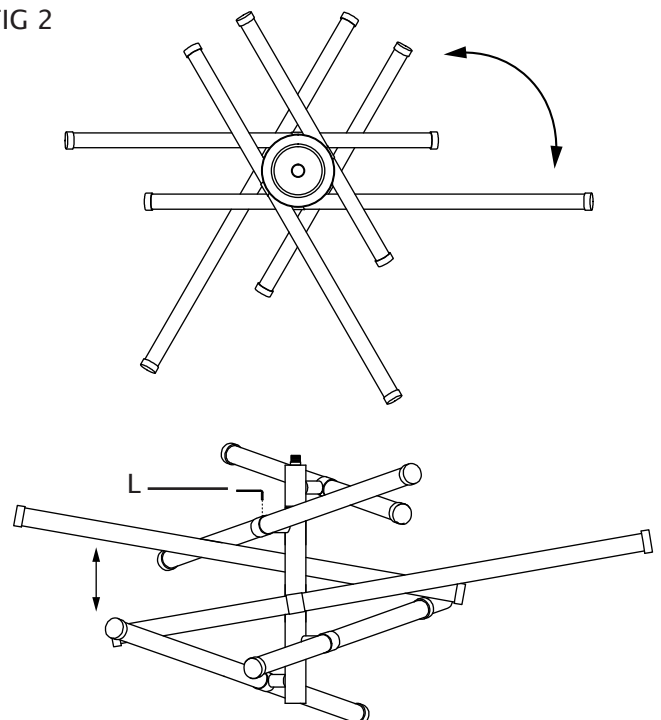
ITEM#: H0018-10359

1. Carefully pull house wires down out of junction box so house wires are easily accessed to connect fixture wires.
2. Position mounting bracket so head of ground screw and longer end of threaded pipe is pointing down towards floor. Place mounting bracket (A) up against junction box. Align each slot in mounting bracket (A) with each hole in junction box.
3. Thread one junction box screw (B) into each slot in mounting bracket (A) and into holes in junction box. Tighten junction box screws (B) to secure mounting bracket (A) to junction box.
4. Thread screw collar (E) with swivel (W) onto end of threaded pipe attached to mounting bracket (A). **CAUTION:** Make sure house wires are still easily accessible. **DO NOT** pinch wires between mounting bracket and ceiling.



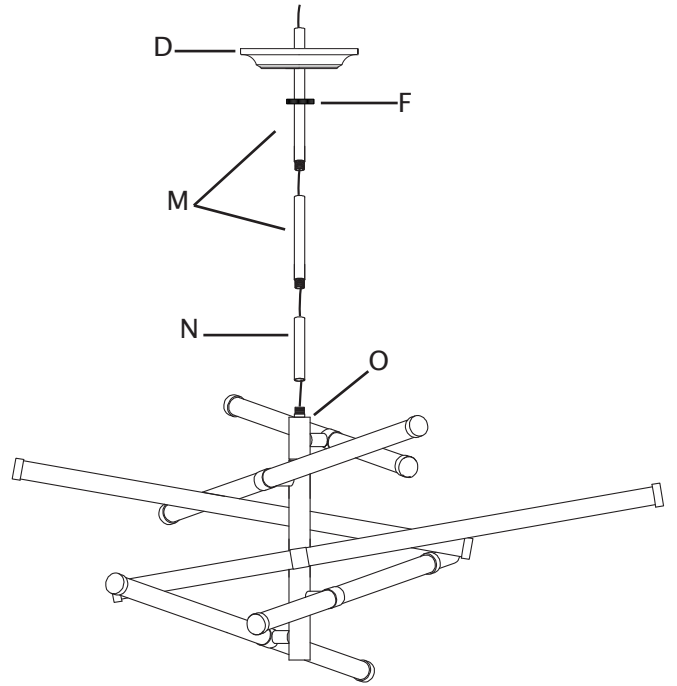
5. Using hex wrench (L), loosen set screws on arms. Rotate arms until arms are in position as shown in FIG 2 at right. After arms are in position, tighten hex screws using hex wrench (L).

FIG 2

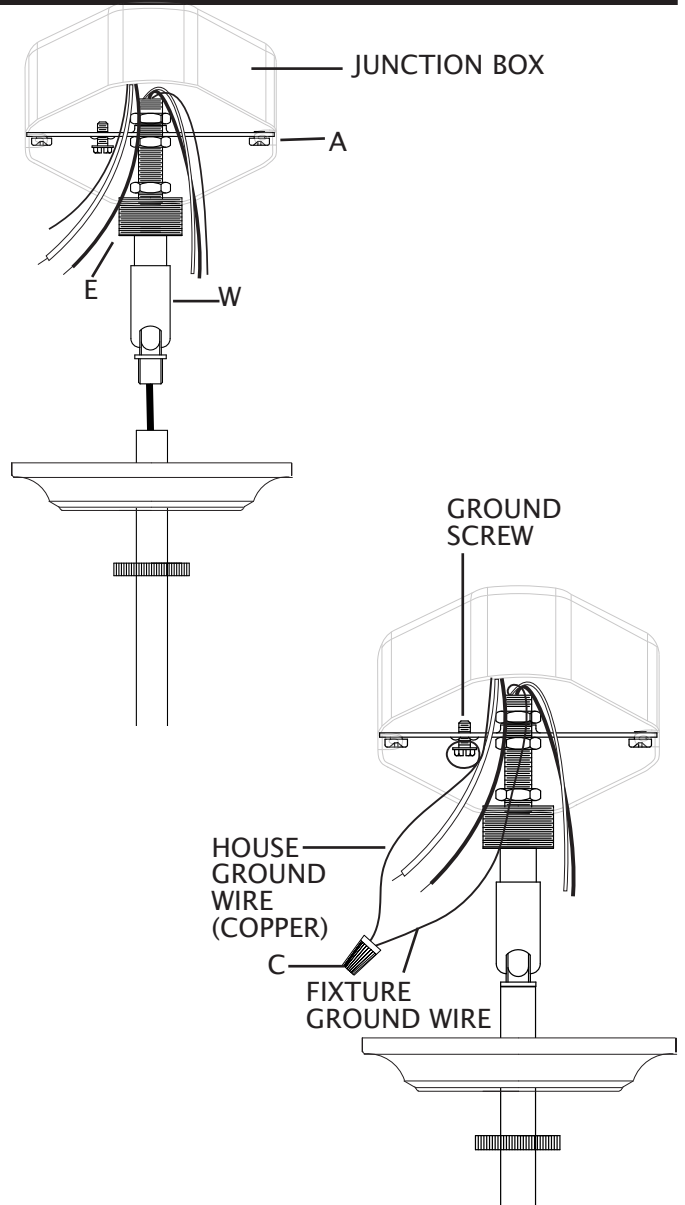


**NOTE:** At least one 6 inch stem (N) must be used.

6. Carefully push fixture wires from top of fixture body (O) up through bottom of 6 inch stem (N). Thread end of 6 inch stem (N) onto top of fixture body (O).
7. Determine desired hanging height of fixture. Select the quantity of stems (M) to achieve that height.
8. Hold one stem (M) so threaded pipe on end of stem is pointing down. Carefully push fixture wires up through bottom of one stem (M). Thread end of stem (M) onto top of 6 inch stem (N).
9. Carefully push fixture wires through remaining stems (M). Thread stems (M) together carefully keeping fixture wires taut. DO NOT pinch fixture wires between stems.
10. Slip threaded ring (F) down over end of stem (M) with fixture wires.
11. Position canopy (D) so outside of canopy is pointing down towards fixture. Slip hole in canopy (D) over end of stem (M).



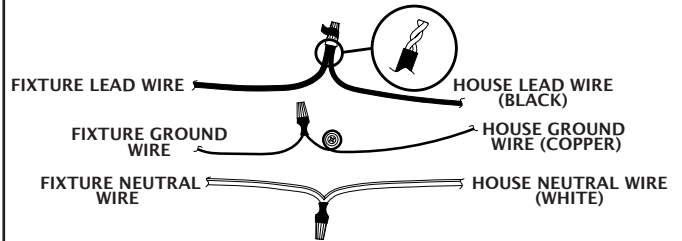
12. Strip 3/4" of insulation from ends of fixture wires.
13. Carefully push fixture wires up through hole in swivel (W) attached to screw collar (E) and out end threaded pipe inside junction box. Carefully pull fixture wires so they are easily accessible to connect to house wires.
14. Thread end of last stem (M) onto swivel (W). DO NOT pinch wires between stem (M) and swivel (W).
15. Slightly loosen ground screw on mounting bracket (A). Do not completely remove ground screw. Wrap house ground wire (copper) around ground screw, leaving enough ground wire to attach to fixture ground wire. Twist end of fixture ground wire and end of house ground wire (copper) together. Twist wire nut (C) onto ends of wires. Completely tighten wire nut (C). Reference chart below for correct wire connections.



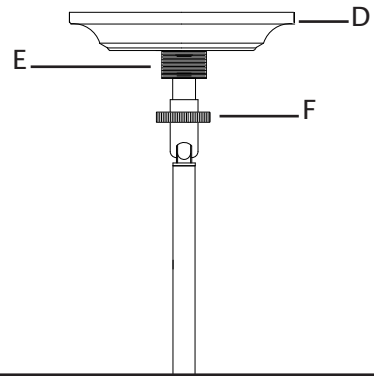
Connect Supply (House) Ground Copper Wire to:
Bare Copper Wire or,
Bare Silver Wire or,
Green Insulated Wire.

- 16. Twist end of house lead wire (black) and end of fixture lead wire (black) together. Twist wire nut (C) onto ends of wires. Completely tighten wire nut (C). Twist end of house neutral wire (white) and end of fixture neutral wire (white) together. Twist wire nut (C) onto ends of wires. Completely tighten wire nut (C).
- 17. Wrap electrical tape (not included) around wire nuts (C) and wires. Ensure wires are securely fastened into wire nuts (C).
- 18. Carefully push all wires and wire nuts into junction box.

Connect Black Lead Supply (House) Wire to:	Connect White Neutral Supply (House) Wire to:
Black Wire or,	White Wire or,
*Parallel Cord (Round and Smooth) or,	*Parallel Cord (Square and Ridged) or,
No printed words on wire insulation or,	Printed words on wire insulation or,
Insulated Wire (other than green) with Copper Conductor.	Insulated Wire (other than green) with Silver Conductor.
*When parallel wire (SPT 1 & SPT 2) is used: The lead wire is round in shape or smooth. The neutral wire is square in shape or ridged.	



- 19. Raise canopy (D) up to ceiling. Pass hole in canopy (D) over screw collar (E). Position canopy (D) up against ceiling.
- 20. Raise threaded ring (F) up to canopy (D). Screw threaded ring (F) onto screw collar (E). Tighten threaded ring (F) to secure fixture to ceiling.



- 21. Screw recommended bulbs (E12 candelabra bulb type, not included) into sockets. Verify correct bulb wattage marked on socket of fixture.  
**WARNING: DO NOT** exceed maximum bulb wattage.

