

WARNING: DISCONNECT POWER AT THE MAIN FUSE BOX BEFORE INSTALLATION.

WARNING:

This fixture is intended for installation in accordance with the National Electrical Code (NEC) and all local code specifications. If you are not familiar with code requirements, installation by a certified electrician is recommended.

Before assembly, remove all parts and part packages from box. If anything is missing, please contact the retailer from which the product was purchased.



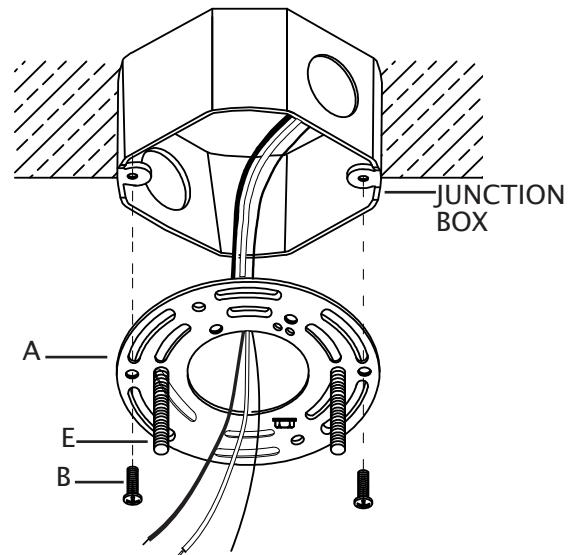
ANY QUESTIONS CALL: 800-613-3261
M-F 8:00AM-6:00PM ET

ITEM#: H0018-8565

NOTE: Assistance with the installation of this fixture is recommended.

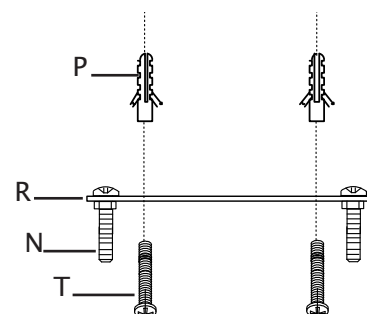
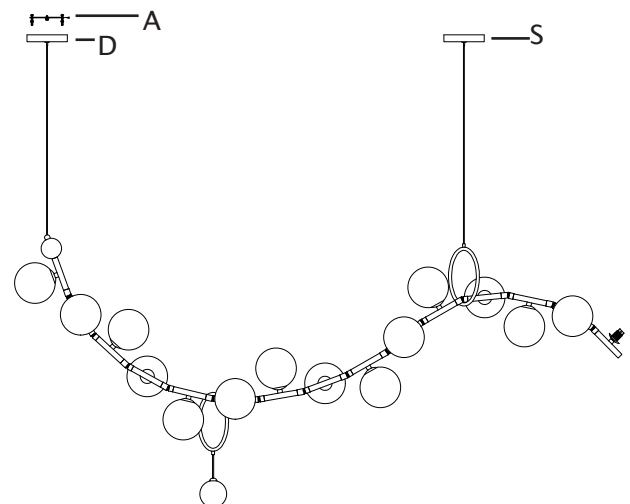
To install mounting bracket to junction:

1. Carefully pull house wires out of junction box so they are easily accessible during installation.
2. Position mounting bracket (A) so threaded ends of attached fixture mounting screws (E) are facing down towards floor.
3. Carefully pull house wires through center hole in mounting bracket (A).
4. Align small holes in mounting bracket (A) with holes in junction box.
5. Thread each junction box screw (B) into appropriate holes in mounting bracket (A) and into holes in junction box. Tighten junction box screws (B) to secure mounting bracket (A) to junction box. **CAUTION:** Make sure house wires are pulled completely through hole in mounting bracket. **DO NOT** pinch wires between mounting bracket and ceiling.

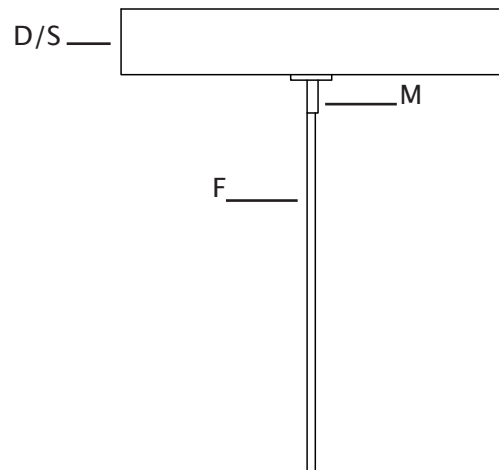


To install second mounting bracket:

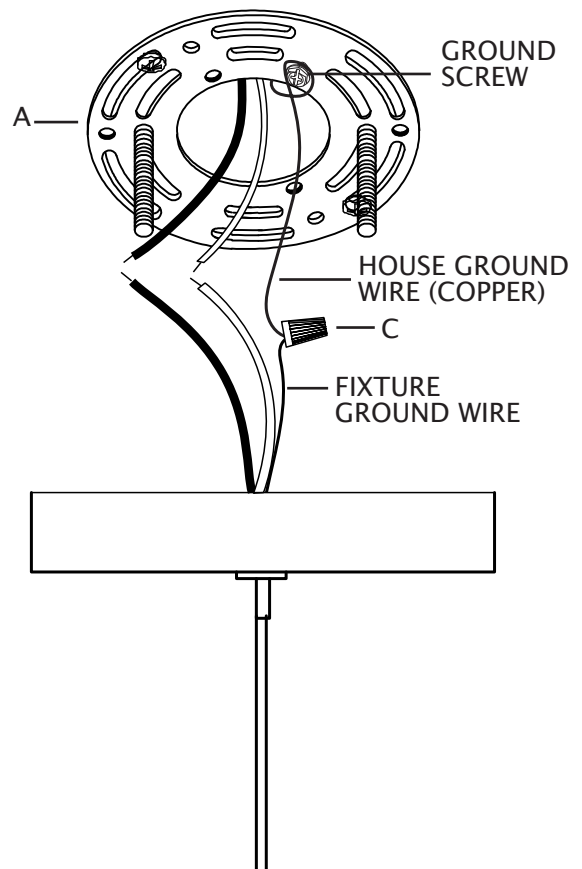
6. Raise fixture up to ceiling. Place canopy (D) on the side of fixture with fixture wires over mounting bracket (A) installed to junction box.
7. Position second canopy (S) on ceiling. With a pencil, mark on the ceiling the location of the two small holes in the canopy (S). Set fixture aside.
8. Place second mounting bracket (R) against ceiling. Aligning the attached fixture mounting screws (N) with the two marks on the ceiling made in step 7. With a pencil, mark on the ceiling the location of the holes for the mounting bracket screws (T). Set mounting bracket (R) aside.
9. Using the appropriate size drill bit for ceiling anchors (P), drill hole at each marked location from step 8. Carefully push one ceiling anchor (P) into each hole. Carefully tap each ceiling anchor (P) into holes. Ceiling anchors (P) should be flush with the ceiling.
10. Place second mounting bracket (R) against ceiling. Align holes for mounting bracket screws (T) with ceiling anchors (P). Screw one mounting bracket screw (T) into each hole in mounting bracket (R) and into ceiling anchors (P). Tighten mounting bracket screws (T) to secure mounting bracket (R) to ceiling.



11. Cable (F) of fixture is adjustable. Raise fixture up to ceiling. Hold both canopies (D and S) against ceiling to determine desired hanging height of fixture.
12. Push cable release button (M) on both canopies (D and S). While keeping cable release button (M) pushed in, move cable (F) up or down to achieve desired hanging height of fixture. Release cable release button (M) when cable (F) is at the desired length. Repeat this step for cable on second canopy (S). Make sure cables are the same length.



13. Strip 3/4" of insulation from ends of fixture wires.
14. Slightly loosen ground screw on mounting bracket (A). Do not completely remove ground screw. Wrap house ground wire (copper) around ground screw, leaving enough ground wire to attach to fixture ground wire. Twist end of fixture ground wire and end of house ground wire together. Twist wire nut (C) onto ends of wires. Completely tighten wire nut (C). Reference chart below for correct wire connections.

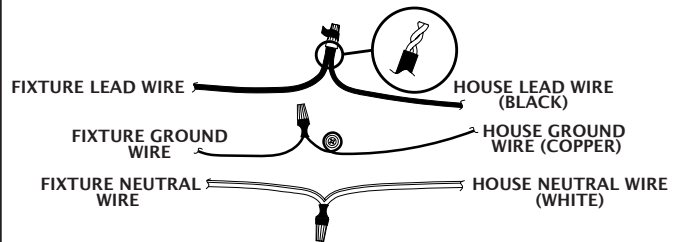


Connect Supply (House) Ground Copper Wire to:
Bare Copper Wire or,
Bare Silver Wire or,
Green Insulated Wire.

15. Twist end of house lead wire (black) and end of fixture lead wire together. Twist wire nut (C) onto ends of wires. Completely tighten wire nut (C). Twist end of house neutral wire (white) and end of fixture neutral wire together. Twist wire nut (C) onto ends of wires. Completely tighten wire nut (C). Reference chart to the right for correct wire connections.
16. Wrap electrical tape (not included) around wire nuts (C) and wires. Ensure wires are securely fastened into wire nuts.
17. Carefully push all wires and wire nuts into junction box.

Connect Black Lead Supply (House) Wire to:	Connect White Neutral Supply (House) Wire to:
Black Wire or,	White Wire or,
*Parallel Cord (Round and Smooth) or,	*Parallel Cord (Square and Ridged) or,
No printed words on wire insulation or,	Printed words on wire insulation or,
Insulated Wire (other than green) with Copper Conductor.	Insulated Wire (other than green) with Silver Conductor.

*When parallel wire (SPT 1 & SPT 2) is used:
The lead wire is round in shape or smooth.
The neutral wire is square in shape or ridged.



18. Carefully raise fixture up to ceiling. Place canopy (D) of fixture over mounting bracket (A). Pass holes in canopy (D) over ends of fixture mounting screws (E).
19. Screw one threaded cap (F) onto end of each fixture mounting screw (E). Tighten threaded caps (F) to secure fixture to ceiling. DO NOT over tighten.
20. Place second canopy (S) over mounting bracket (R). Pass holes in second canopy (S) over ends of fixture mounting screws (N).
21. Screw one threaded cap (F) onto end of each fixture mounting screw (N). Tighten threaded caps (F) to secure fixture to ceiling. DO NOT over tighten.
22. Insert bulbs (G9, included) into sockets.
23. Install one glass globe (K) over each bulb.
CAUTION: Ensure that each glass globe (K) is securely in place.

