

WARNING:

This fixture is intended for installation in accordance with the National Electrical Code (NEC) and all local code specifications. If you are not familiar with code requirements, installation by a certified electrician is recommended.



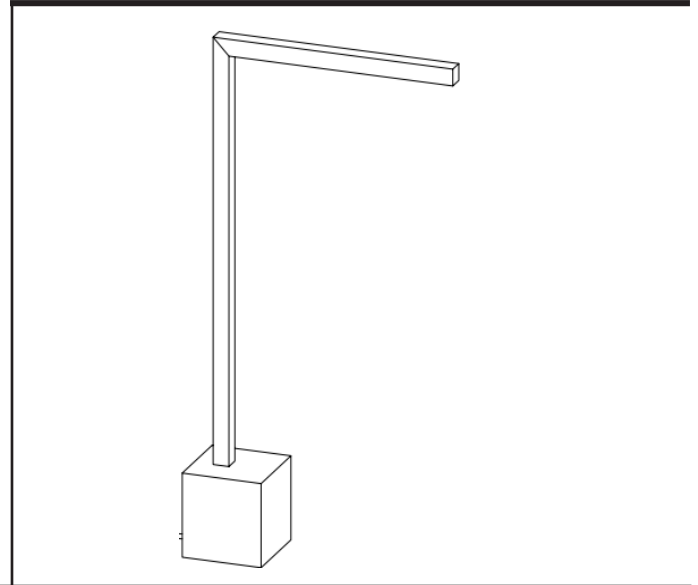
ANY QUESTIONS CALL: 800-613-3261
M-F 8:00AM-6:00PM ET

CAUTION: To prevent shock, only plug in lamp after lamp assembly is complete.

WARNING: This portable lamp has a polarized plug (one blade is wider than the other). As a safety feature, this plug will fit in a polarized outlet only one way. If the plug does not fit fully in the outlet, reverse the plug. If it still does not fit, contact a qualified electrician. Never use with an extension cord unless plug can be fully inserted. Do not attempt to work around this safety feature.

Before assembly, remove all parts and part packages from box. If anything is missing, please contact the retailer from which the product was purchased.

ITEM#: H0019-10347



1. The LED bulb is permanent. The LED bulb does not need to be replaced. DO NOT attempt to remove or replace the LED bulb.
2. Although LED bulbs do not get as hot as incandescent and fluorescent light bulbs, LED bulbs do generate some heat. Avoid touching the LED bulb.
3. Install plug adaptor into power outlet.
4. Turn power to lamp on using dimmer switch.

