

WARNING: DISCONNECT POWER AT THE MAIN FUSE BOX BEFORE INSTALLATION.

WARNING:

This fixture is intended for installation in accordance with the National Electrical Code (NEC) and all local code specifications. If you are not familiar with code requirements, installation by a certified electrician is recommended.

Before assembly, remove all parts and part packages from box. If anything is missing, please contact the retailer from which the product was purchased.

elk HOME

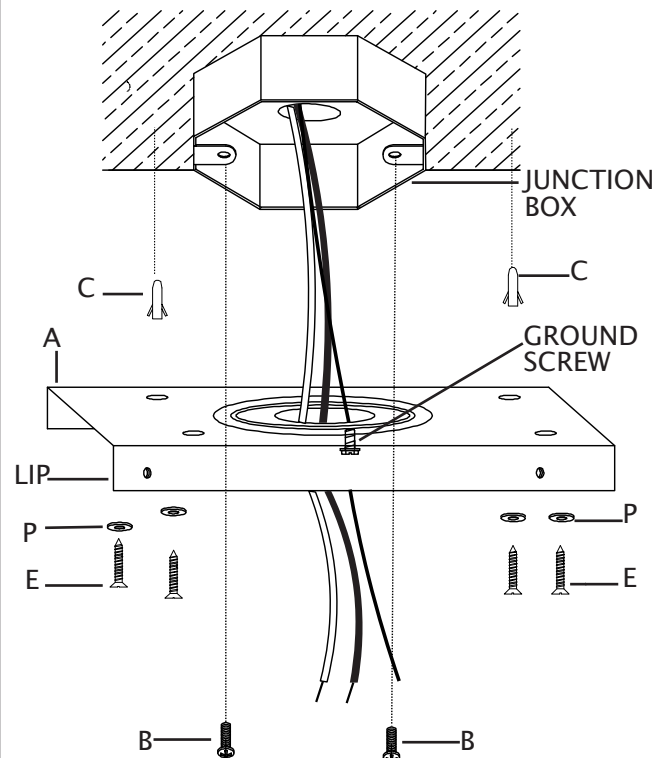
ANY QUESTIONS CALL: 800-613-3261
M-F 8:00AM-6:00PM ET

ITEM#: H018-7247

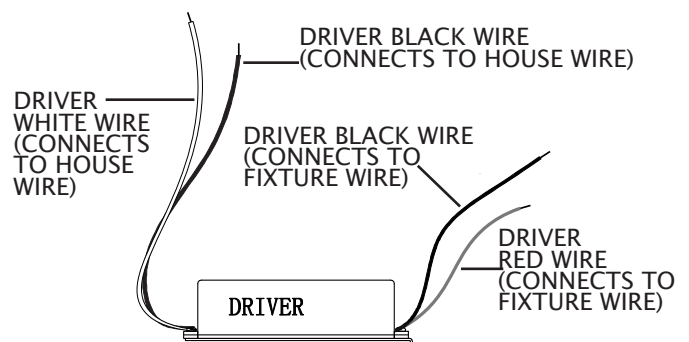
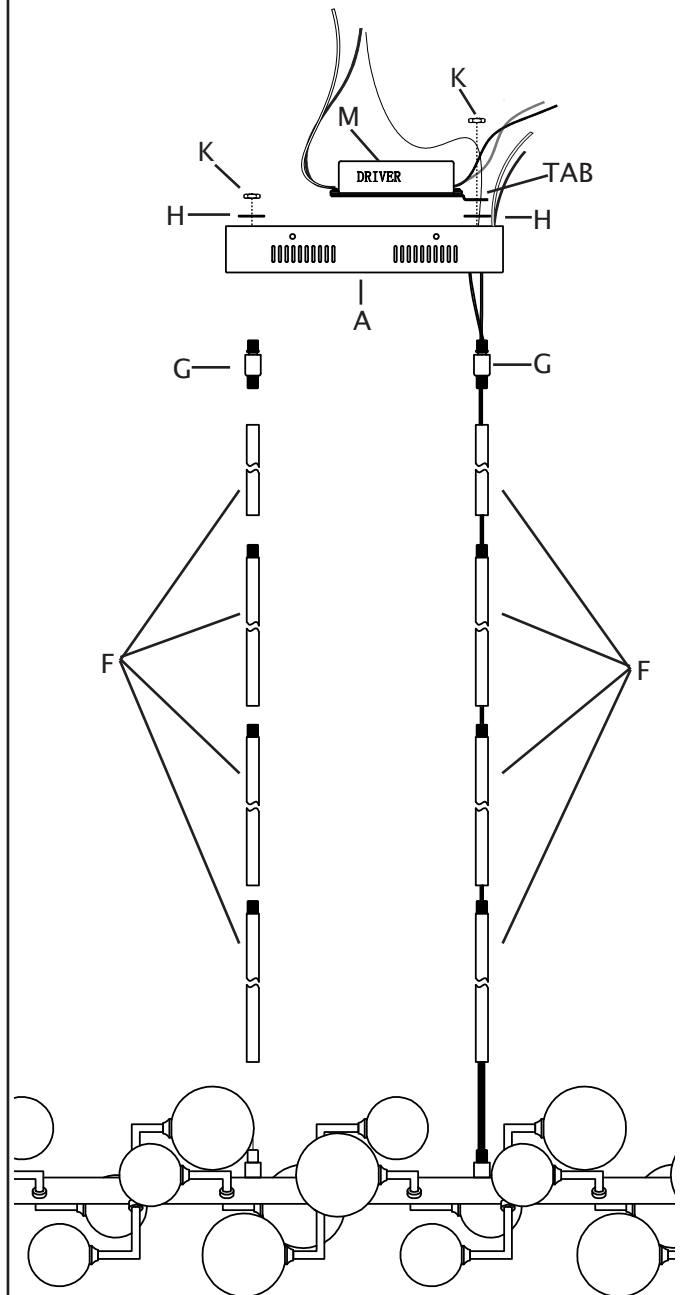
1. Position mounting bracket (A) so lip of mounting bracket is pointing down towards floor and head of ground screw is on the outside of the mounting bracket (A).
2. Align holes in mounting bracket with holes in junction box. While holding mounting bracket in correct position, mark with a pencil on ceiling the location of four (4) holes in mounting bracket. (Two holes outside of large circle in center of mounting bracket.) Set bracket aside while installing anchors.
3. Using a drill bit the appropriate size for the included anchor (C), drill a hole at each marked location on ceiling.
4. Using hammer, carefully tap one anchor (C) into each hole in ceiling. Lip of anchor (C) should be flush with ceiling.
5. Hold mounting bracket (A) so lip of mounting bracket (A) is pointing down towards floor. Carefully pull house wires down out of junction box and pass house wires through large center hole in mounting bracket (A).
6. Thread one small washer (P) onto each anchor screw (E).
7. Align holes in the mounting bracket (A) with holes in junction box. Align holes in ends of mounting bracket with anchors (C) in ceiling.
8. Thread each junction box screw (B) into appropriate hole in mounting bracket (A) and into hole in junction box.
9. Thread each anchor screw (E) with small washer (P) into each hole in mounting bracket.
10. Tighten junction box screws (B) and anchor screws (E) to attach mounting bracket (A) to junction box.

CAUTION: Make sure house wires are still easily accessible.

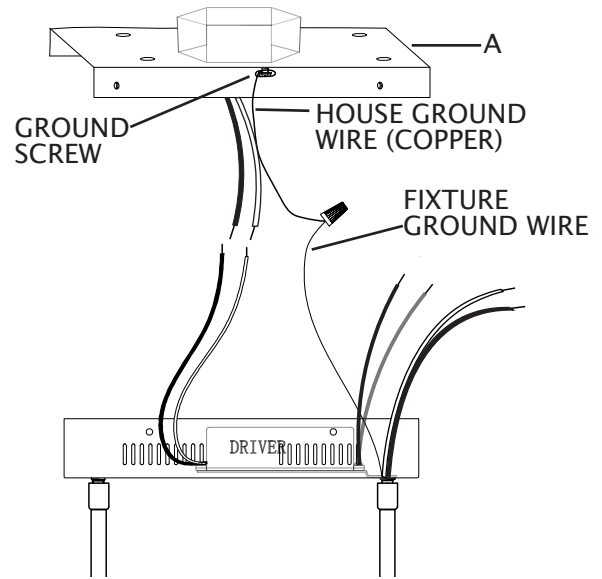
DO NOT pinch wires between mounting bracket and ceiling.



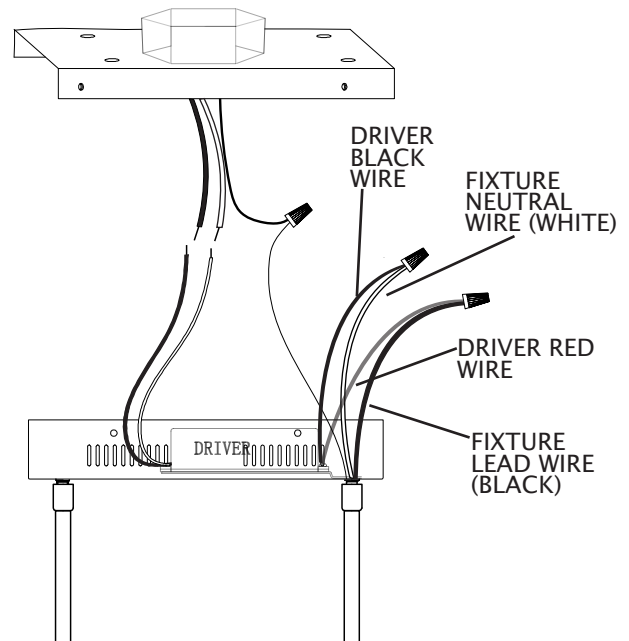
11. Determine desired hanging height of fixture.
12. On side of fixture without fixture wires, thread one stem (F) onto threaded pipe on top of fixture body. Attach remaining number of stems (F) to stem on fixture body to achieve desired height of fixture.
13. Thread end of one threaded coupling (G) onto end of last stem (F).
14. On side of fixture with wires, carefully push fixture wires from fixture body up through bottom of one stem (F). Thread end of stem (F) onto threaded pipe on top of fixture body.
15. Using same number of stems already installed on side of fixture without fixture wires, pass fixture wires up through each stem (F). Thread each stem (F) together. Keep fixture wires pulled taut. **CAUTION: DO NOT pinch fixture wires between ends of stem.**
16. Pass fixture wires through end of second threaded coupling (G). Screw threaded coupling (G) onto end of last stem (F). **CAUTION: DO NOT pinch fixture wires between threaded coupling (G) and stem (F).**
17. Lower canopy (A) down over fixture (A).
18. Pass fixture wires up through one hole in canopy (A).
19. Lower canopy (A) down over threaded pipes on top of each threaded coupling (G).
20. On side of fixture without wires, pass hole in one washer (H) down over threaded pipe protruding from inside canopy (A). Thread hex nut (K) onto end of threaded pipe protruding from inside canopy (A). Tighten hex nut (K) to secure canopy (A) to fixture.
21. On side of fixture with fixture wires, slip hole in one washer (H) over ends of fixture wires and down over end of threaded pipe protruding from inside canopy (A).
22. Hold driver (M) so tab on driver (M) is on the bottom right side of driver. Pass fixture wires through hole in tab on driver. Lower driver down and pass hole in tab over end of threaded pipe protruding from inside canopy (A). **CAUTION: DO NOT pinch wires between driver and canopy.**
23. Pass fixture wires through hole in one hex nut (K). Thread hex nut (K) onto threaded pipe protruding from inside canopy (A). Tighten hex nut (K) to secure driver (M) in place and canopy (A) to fixture.



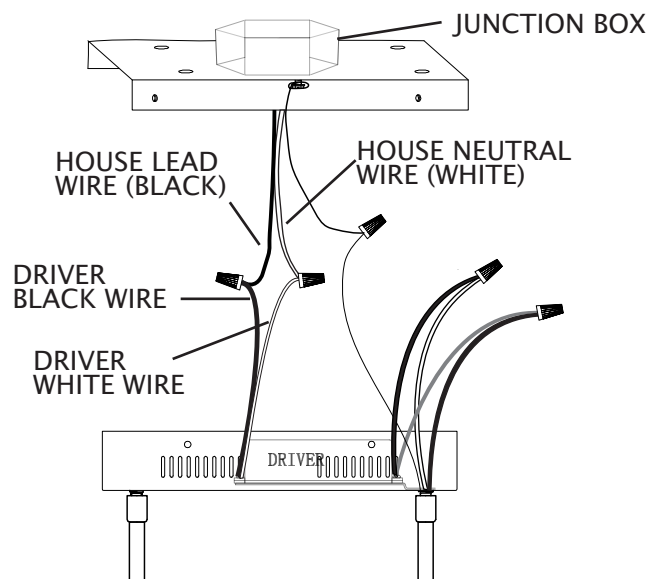
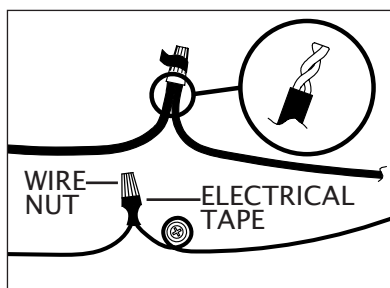
24. Strip 3/4" of insulation from ends of fixture wires.
25. Slightly loosen ground screw on mounting bracket (A). Do not completely remove ground screw. Wrap house ground wire (copper) around ground screw, leaving enough ground wire to attach to fixture ground wire (bare copper). Twist end of fixture ground wire (bare copper) and end of house ground wire (copper) together. Twist wire nut onto ends of wires. Completely tighten wire nut.



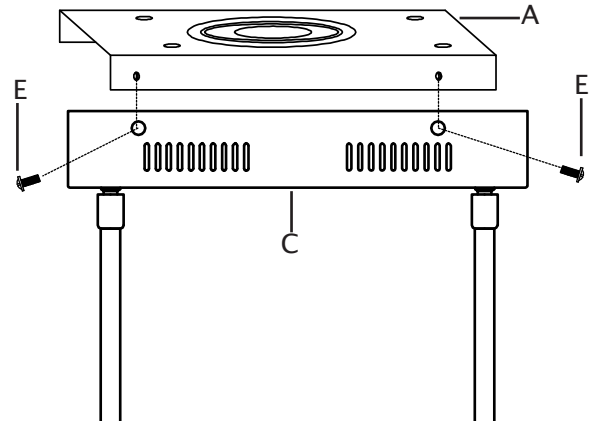
26. Twist end of driver black wire and end of fixture neutral wire (white) together. Twist wire nut onto ends of wires. Completely tighten wire nut. Twist end of driver red wire and end of fixture lead wire (black) together. Twist wire nut onto ends of wires. Completely tighten wire nut.



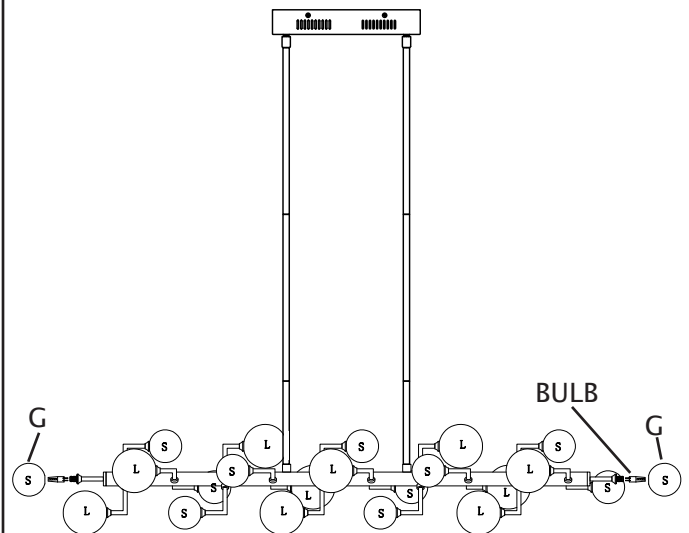
27. Twist end of driver black wire and end of house lead wire (black) together. Twist wire nut onto ends of wires. Completely tighten wire nut. Twist end of driver white wire and end of house neutral wire (white) together. Twist wire nut onto ends of wires. Completely tighten wire nut.
28. Wrap electrical tape (not included) around wire nuts and wires. Ensure wires are securely fastened into wire nuts.



29. Carefully lay driver/fixture wire connections down into canopy. Make sure wires stay connected.
30. Carefully push driver/house wire connections and ground wire connections up into junction box. Make sure wires stay connected.
31. Raise fixture up to ceiling. Fit canopy (C) over lip of mounting bracket (A).
32. Align holes in front and back of canopy (C) with holes in lip on mounting bracket (A).
33. Thread one fixture mounting screw (E) into each hole in front and back of canopy (C). Tighten fixture mounting screws (E) to secure fixture to mounting bracket (A).



34. Carefully insert each bulb (G4 LED bulb type, included) into socket. Verify correct bulb wattage marked on socket of fixture. **WARNING: DO NOT** exceed maximum bulb wattage.
 35. Carefully pass hole in one glass globe (G) over bulb. Carefully push glass globe (G) over socket spring. Repeat this step for all glass globes (G).
- NOTE:** Reference illustration for correct placement of glass globes.



L Large glass globe
Qty: 10

S Small glass globe
Qty: 12