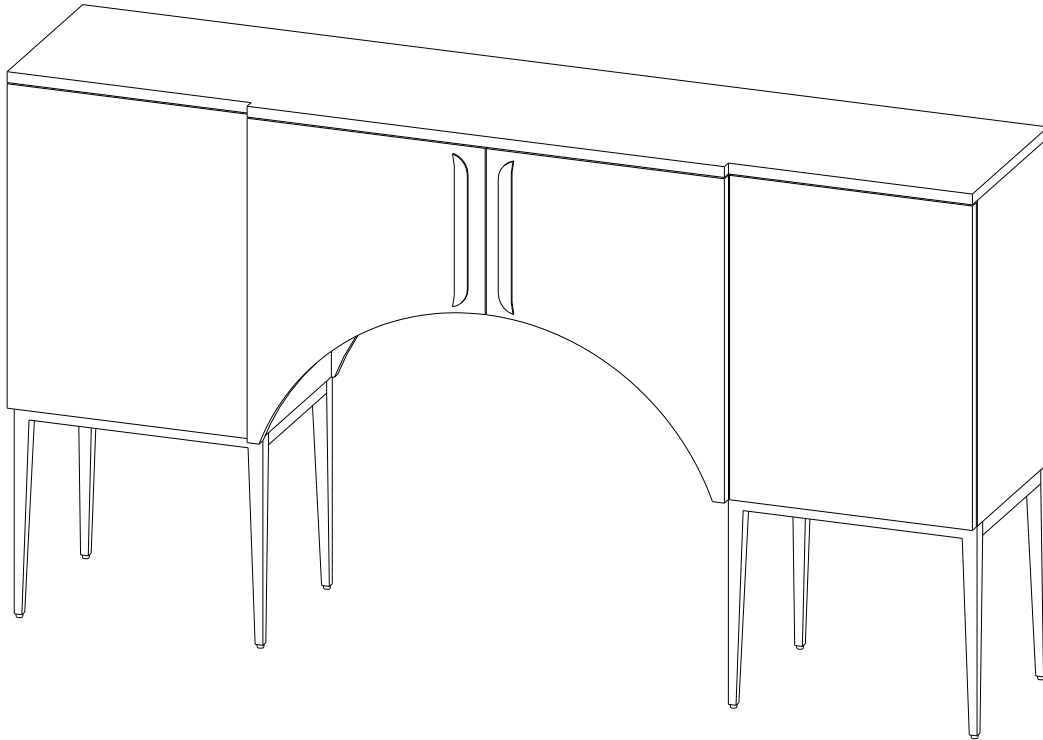

Prospect Credenza



IMPORTANT

Read all instructions before assembling.

WARNING: To avoid damages, assemble the product on a soft, clean surface.

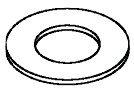
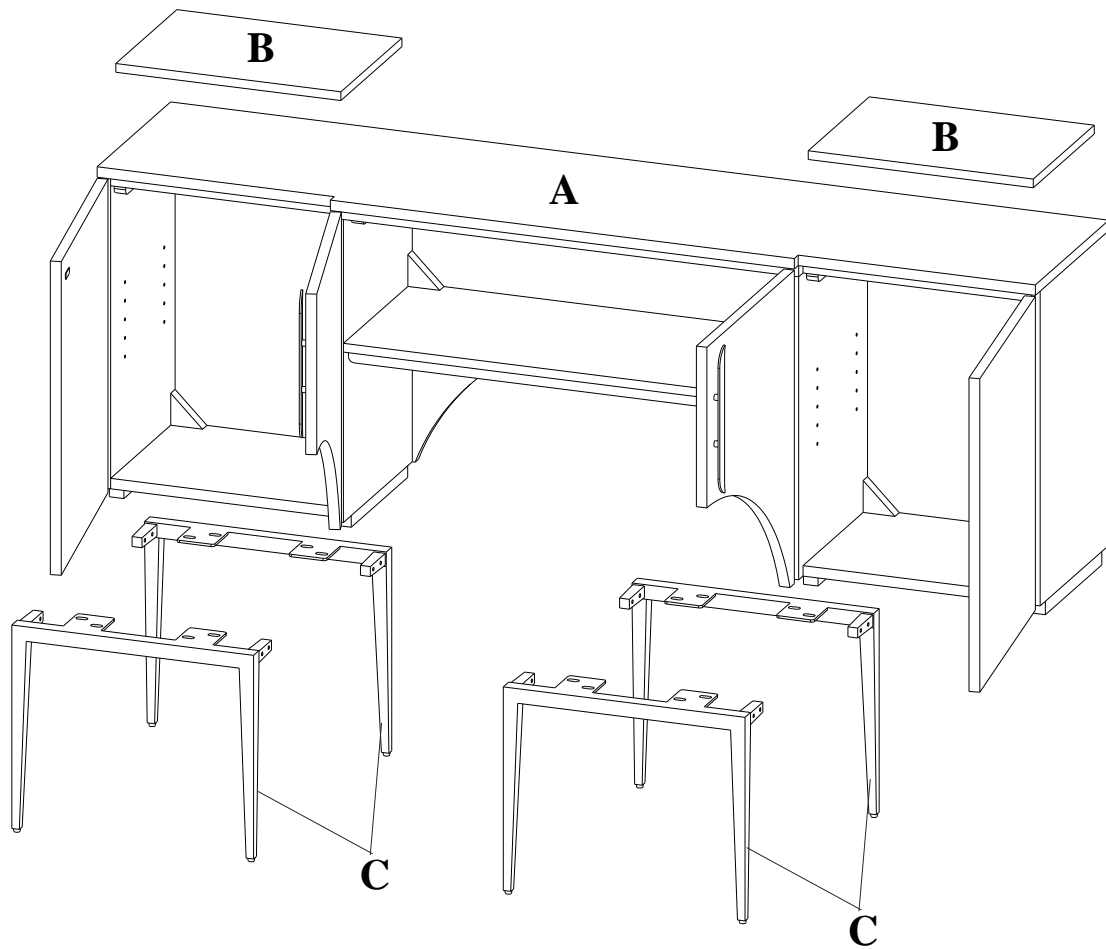
CAUTION: Keep small parts out of reach of children.

Before assembly, remove all parts and part packages from carton. If anything is missing or damaged, please contact the retailer from which the product was purchased or contact customer service, 800-613-3261.

elk HOME

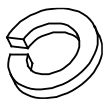
ANY QUESTIONS CALL: 800-613-3261
M-F 8:00AM-6:00PM ET

H0805-11956
Prospect Credenza



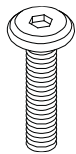
Ø15mm,
16x

D



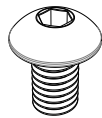
Ø16mm,
16x

E



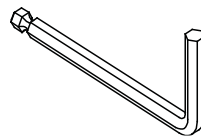
M6x30mm,
16x

F



Ø6mmx10mm,
16x

G



Ø4mmx110mm,
1x

H



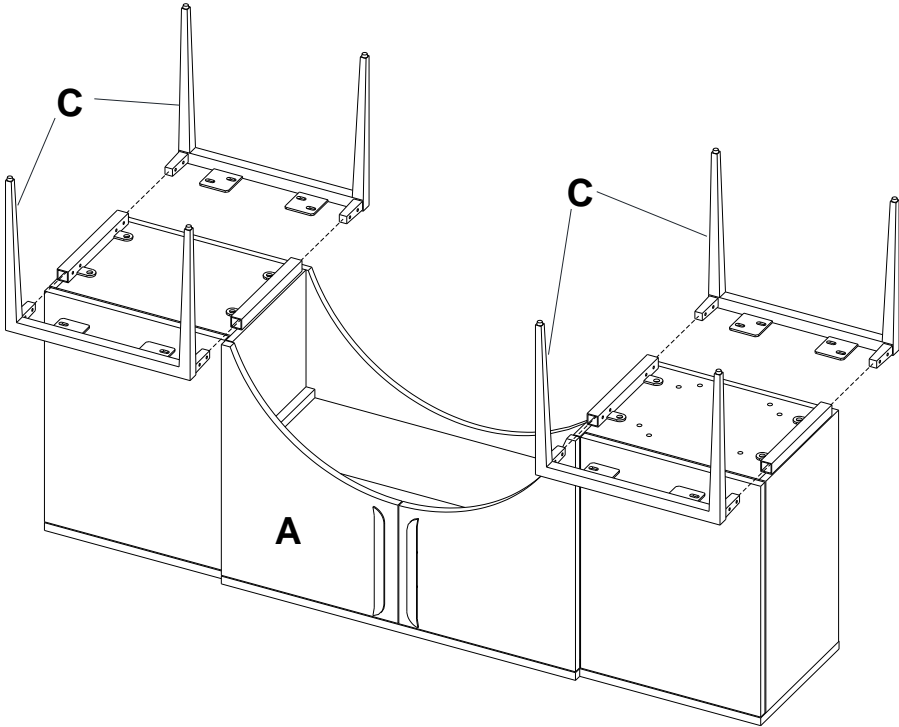
8x

I

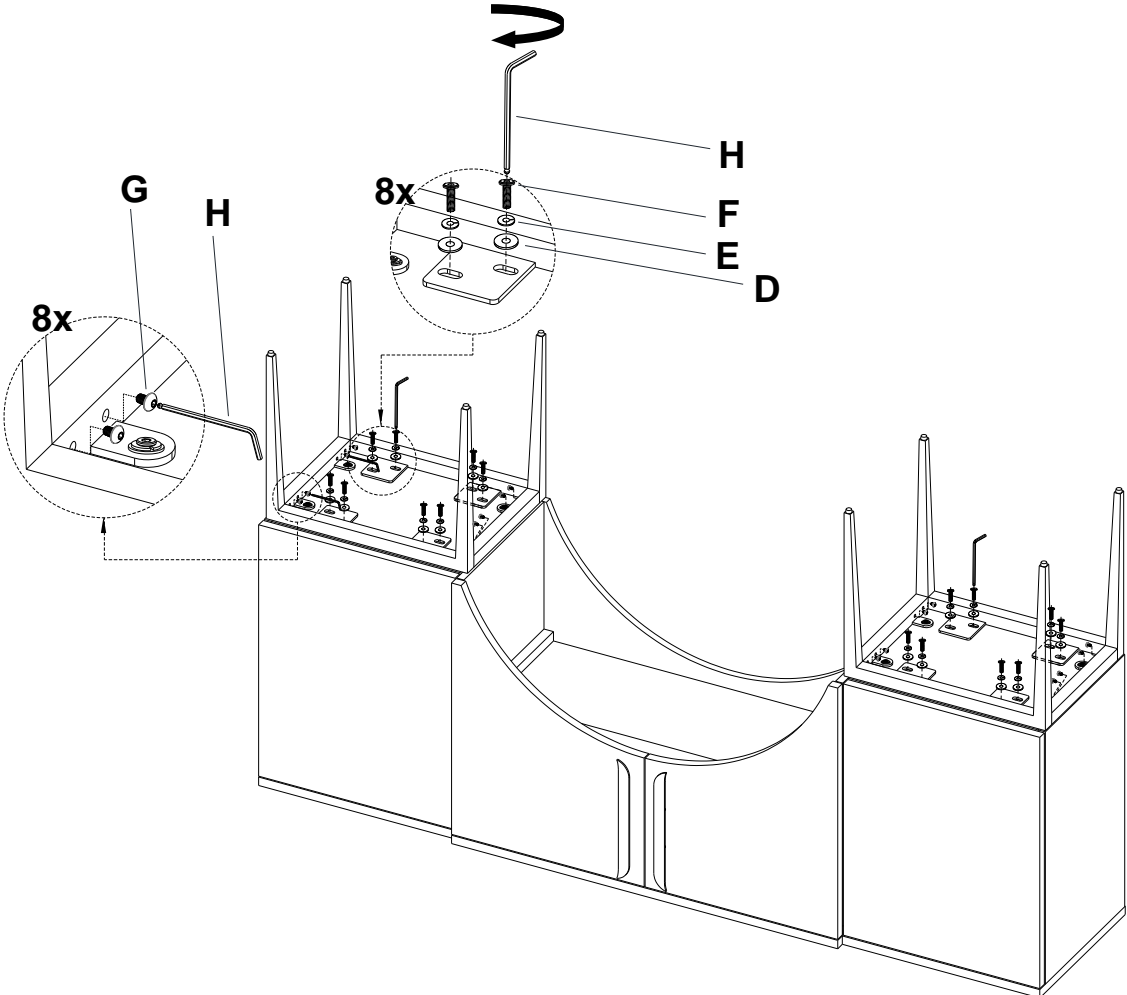


- Anti-tip kit /
- Dispositifanti-basculament/
ment/
• Kit anti-volcada
2x

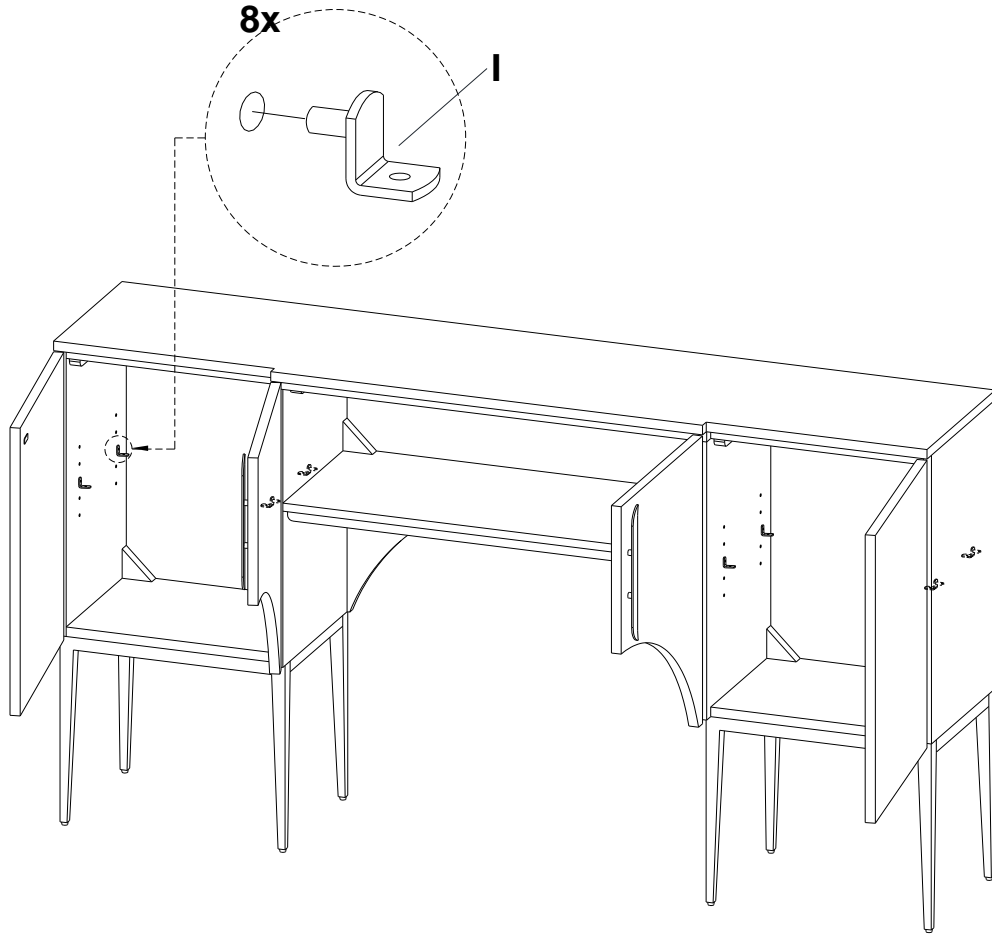
1



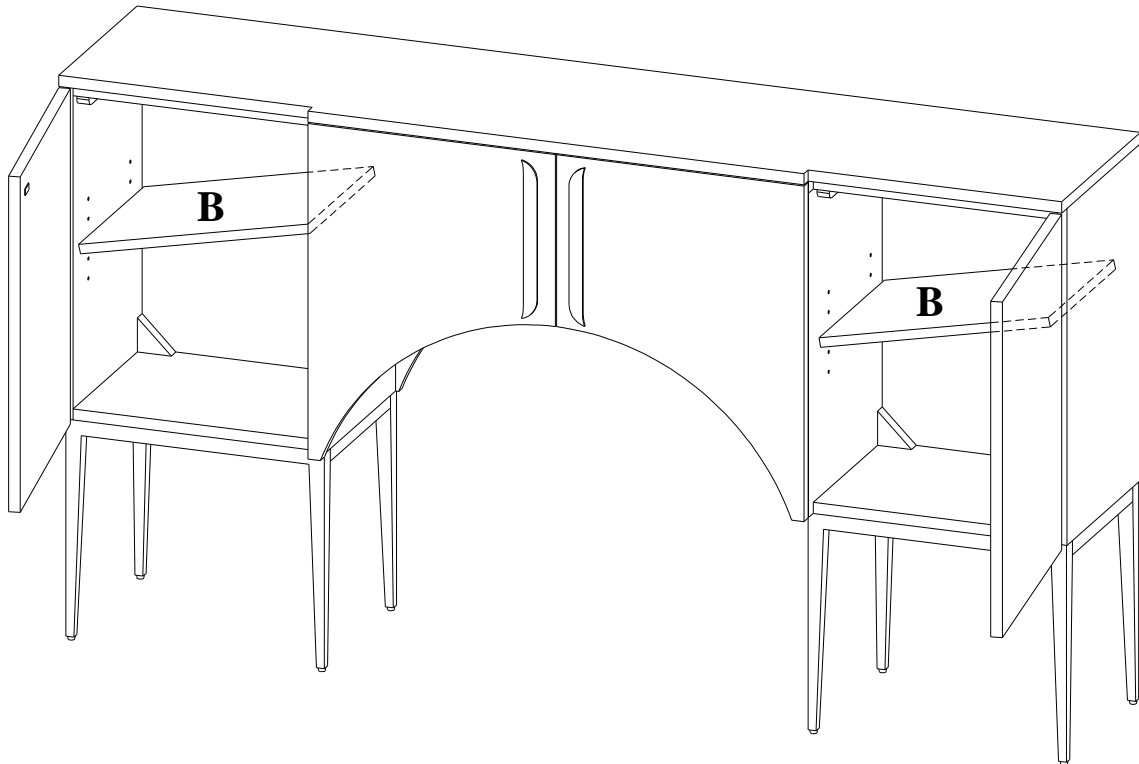
2



3

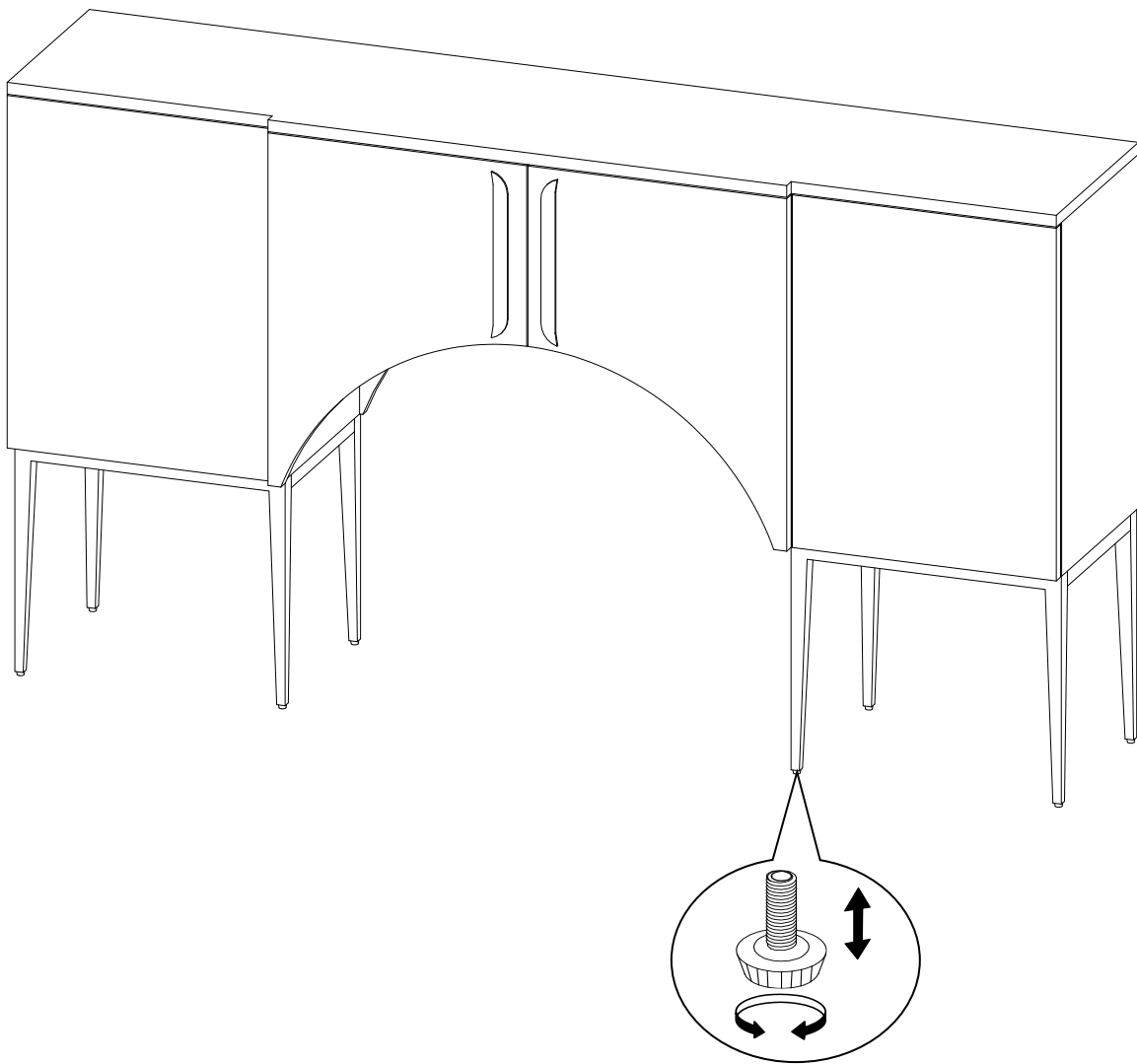


4








5

5/6



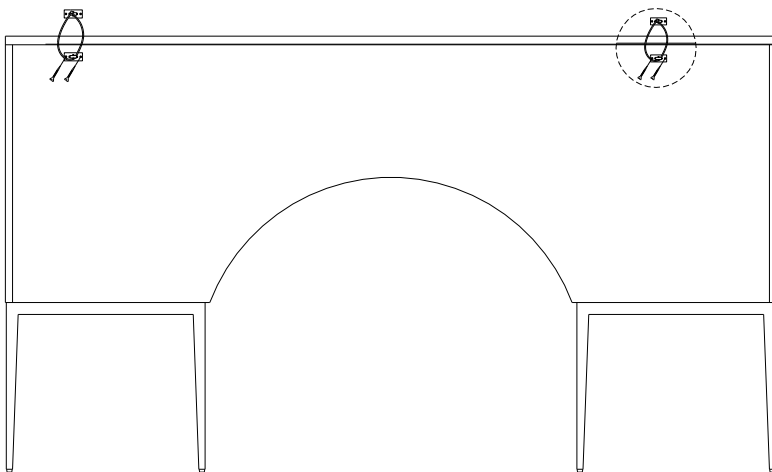
Anti-Tip Hardware Installation

Qty.	Ltr.	Hardware Included
4	A	 LARGE SCREW
4	B	 SMALL SCREW
4	C	 WALL BRACKET
2	D	 RETENTION BELT
4	E	 ANCHOR

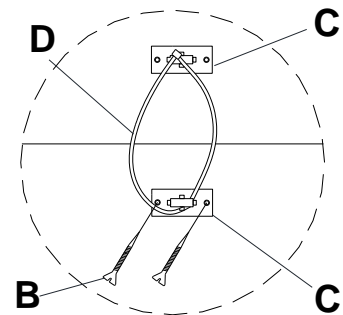
TOOLS NEEDED

- 1 Screw Driver – NOT INCLUDED IN BOX
- 1 Drill Machine – NOT INCLUDED IN BOX

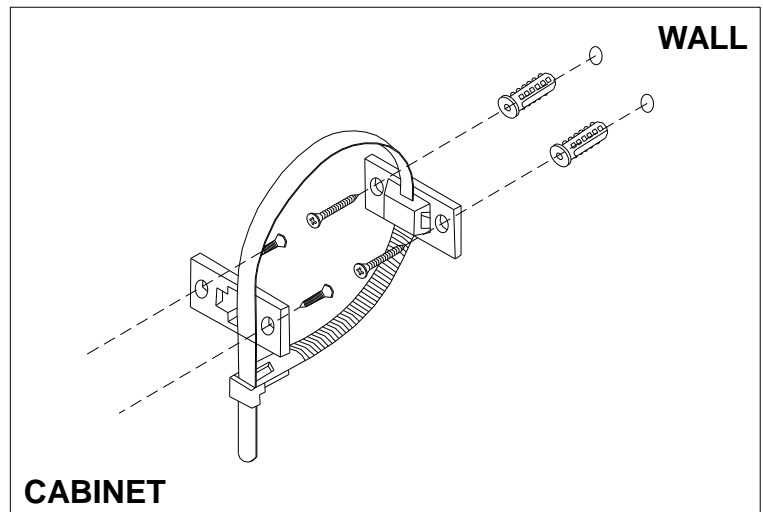
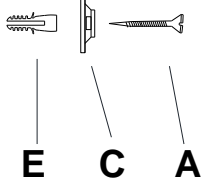
Attach Bracket (C) onto each end of upper back of console using Small Screws (B).
 Attach other Brackets to a wall stud approximately 1 inch lower than console Bracket using Large Screws (A). Push console against wall and align Brackets.
 Attach both by threading and tightening Retention Belt (D).



BACK VIEW



Attach Bracket
 into a
 WALL STUD



CABINET