

WARNING: DISCONNECT POWER AT THE MAIN FUSE BOX BEFORE INSTALLATION.

WARNING:

This fixture is intended for installation in accordance with the National Electrical Code (NEC) and all local code specifications. If you are not familiar with code requirements, installation by a certified electrician is recommended.

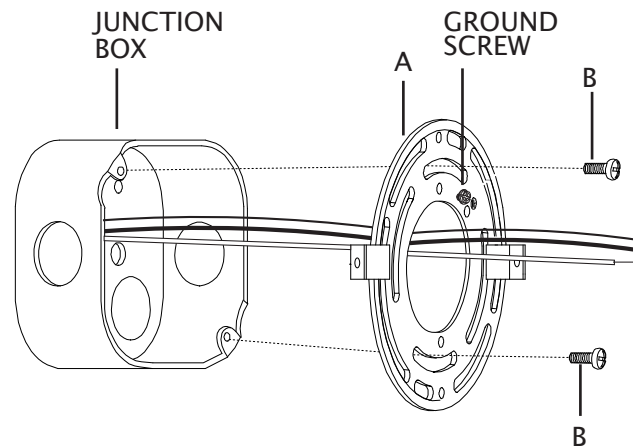
Before assembly, remove all parts and part packages from box. If anything is missing, please contact the retailer from which the product was purchased.

elk HOME

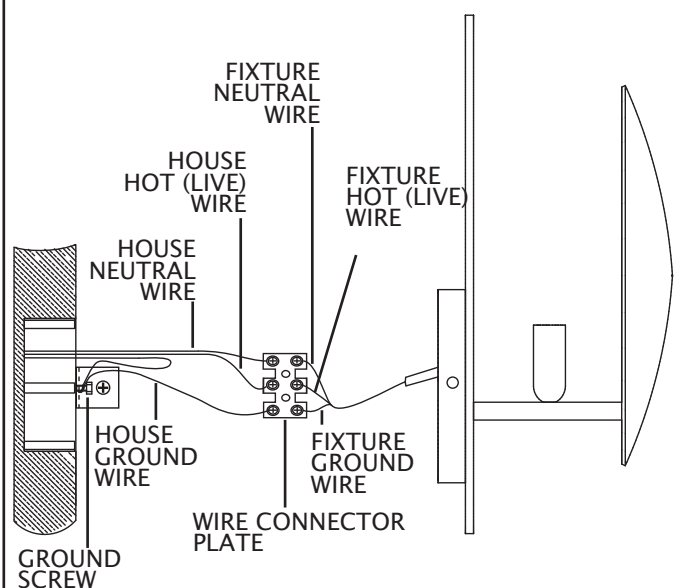
ANY QUESTIONS CALL: 800-613-3261
M-F 8:00AM-6:00PM ET

ITEM#: H0808-7565
ITEM#: H0808-7567

1. Carefully pull house wires out of junction box so they are easily accessible during installation.
2. Position mounting bracket (A) so the head of the ground screw and the tabs on each side of mounting bracket (A) are facing outward.
3. Carefully pull house wires through hole in center of mounting bracket (A).
4. Align holes in mounting bracket (A) with each hole in junction box. Mounting bracket (A) should be level.
5. Thread each junction box screw (B) into appropriate holes in mounting bracket (A) and into holes in junction box. Tighten junction box screws (B) to secure mounting bracket (A) to junction box. **CAUTION:** Make sure house wires are pulled completely through hole in mounting bracket. **DO NOT** pinch wires between mounting bracket and wall.



6. Strip 3/4" of insulation from ends of fixture wires.
7. Slightly loosen ground screw on mounting bracket (A). Do not completely remove ground screw. Wrap house ground wire (copper) around ground screw, leaving enough ground wire to attach to wire connector plate. Attach end of house ground wire to screw on wire connector plate. Attach fixture ground wire (copper or green insulated) to screw on wire connector plate.
8. Attach house hot (live/black) wire to the middle screw on the wire connector plate. Attach the fixture hot wire (live/black) to the middle screw on the wire connector plate.
9. Attach the house neutral wire (white) to the end screw on the wire connector plate. Attach the fixture neutral wire (white) to the end screw on the wire connector plate.
10. Verify all wire connections are secure. Carefully tuck wires and wire connector plate into junction box.



ITEM#: H0808-7565

ITEM#: H0808-7567

11. Place backplate (D) over mounting bracket (A). Align holes in sides of backplate (D) with holes in each tab of mounting bracket (A).
12. Screw one fixture mounting screw (E) into hole in each side of backplate (D) and into holes in each tab of mounting bracket (A). Tighten fixture mounting screws (E) to secure fixture to wall.
13. Screw recommended bulb (E12 Candelabra bulb type, not included) into socket. Verify correct bulb wattage marked on socket of fixture.
WARNING: DO NOT exceed maximum bulb wattage.

