

IMPORTANT

Read all instructions before assembling.

WARNING: To avoid damages, assemble the product on a soft, clean surface.

CAUTION: Keep small parts out of reach of children.

Before assembly, remove all parts and part packages from carton. If anything is missing or damaged, please contact the retailer from which the product was purchased or contact customer service, 800-613-3261.

elk HOME

ANY QUESTIONS CALL: 800-613-3261
M-F 8:00AM-6:00PM ET

S0075-9857 Bromo Coffee Table

PACKAGE CONTENTS

Parts		Quantity
A	Allen Key	1
B	Allen Bolt	8
C	Top Table	1
D	Leg	4

NOTES:

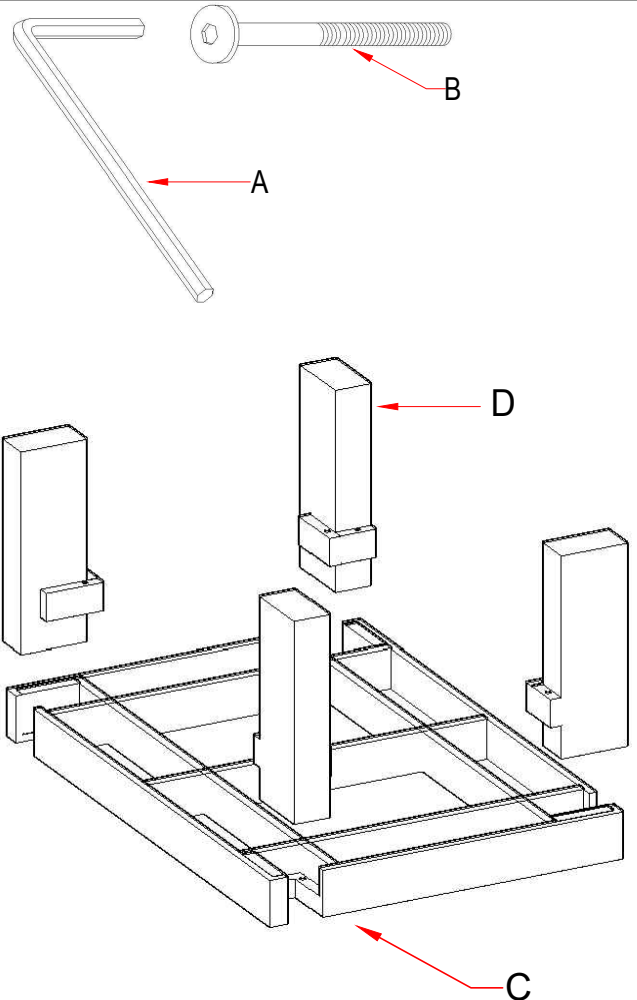
Two-person assembly.

Approx. assembly time: 15 minutes

ASSEMBLY

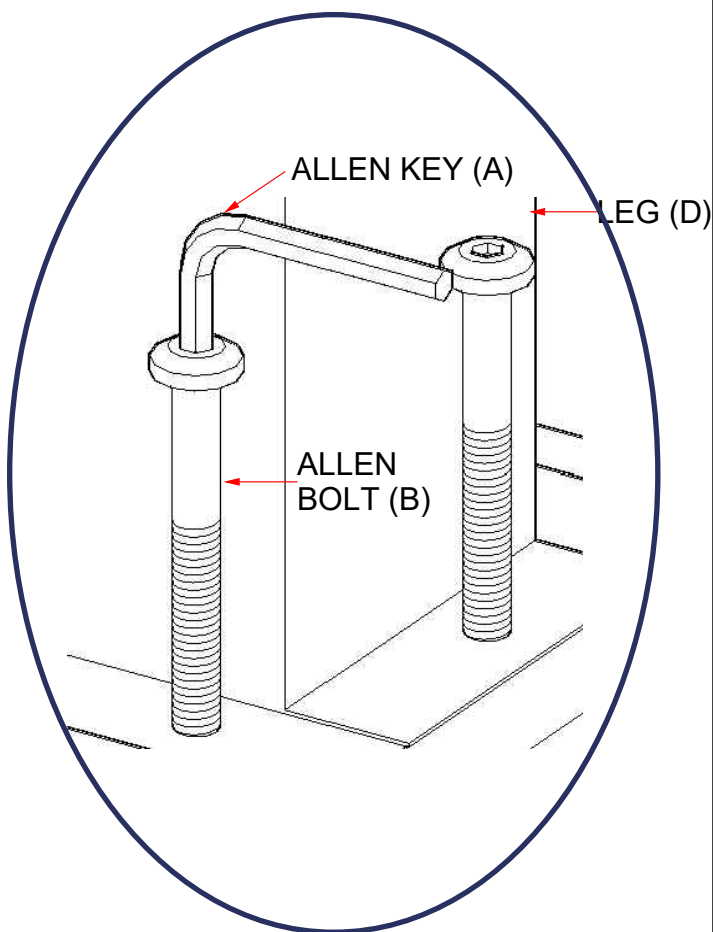
IMPORTANT: It is recommended to place a blanket, cardboard or other cushioning material on the floor to prevent damage to floor and furniture piece.

NOTE: Furniture pieces are marked with stickers to indicate proper placement of pieces. The letter/number on the stickers do not necessarily coordinate with the letter call-outs on the furniture pieces in this instruction manual.

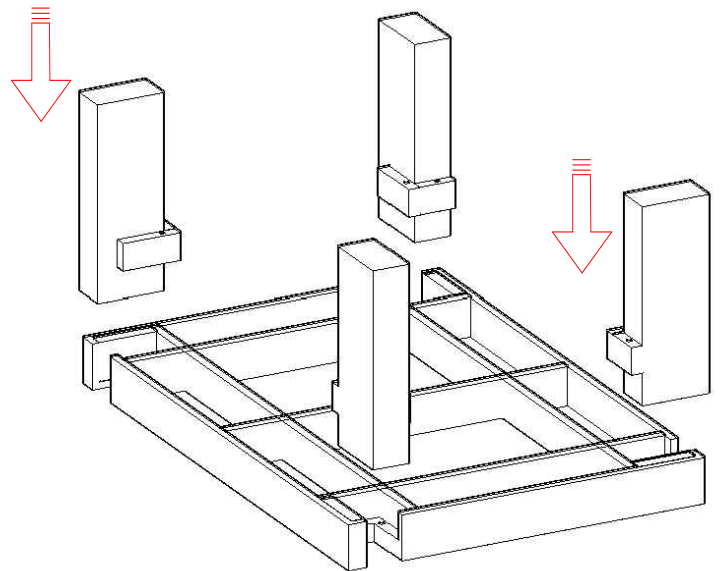


1. Carefully place part Top table (C), flip on floor.
2. Hold on Top table (C) and attach Legs (D), Set Legs (D) on the underside of Top table (D) as coded with sticker as shown.
3. Thread allen bolt (B) into each hole in underside of bottom Top table (D) see **STEP#1**. After both allen bolts (B) have been installed, using allen key (A) fully tighten allen bolts (B). **DO NOT** over tighten.
4. Flip over the product, the table is ready to use.

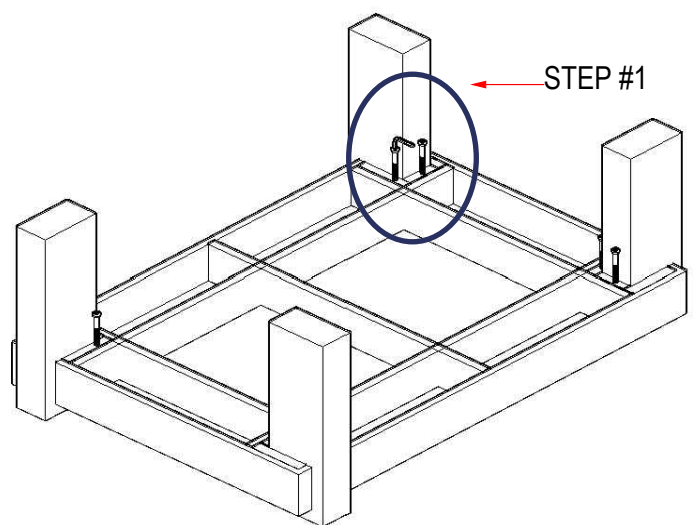
STEP #1

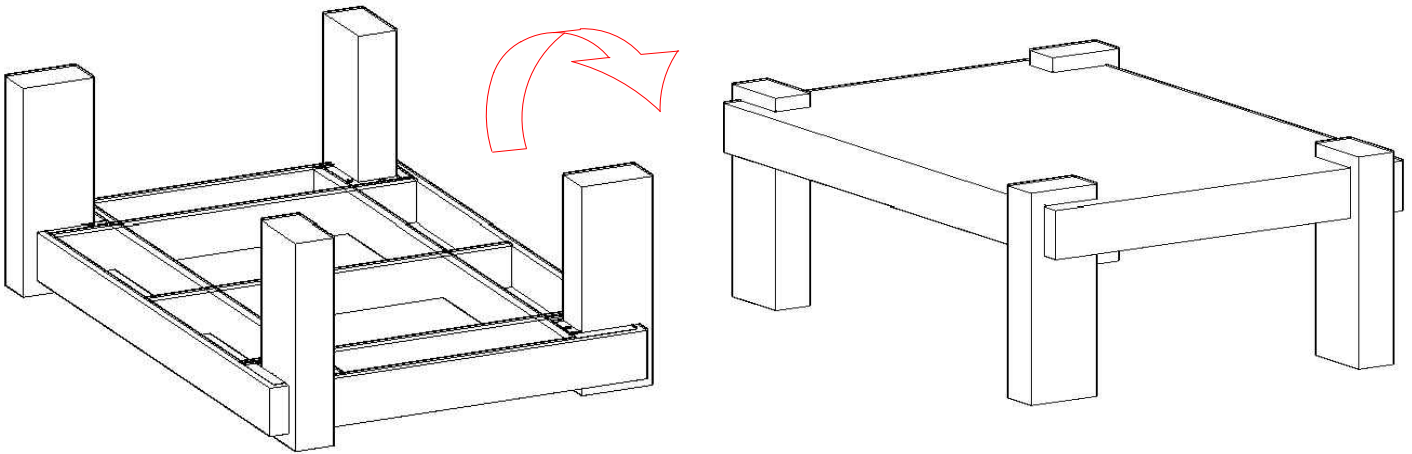


ILUSTRATION 1



ILUSTRATION 2





IMPORTANT: During the life of the product, periodically check all screws and fixings to ensure they are secure.

CARE AND CLEANING

- Before using, wipe with a clean, dry cloth.
- If furniture piece contains glass, clean glass with cleaning products specified safe to use on glass.
- Dust and clean furniture with a clean, non-colored, lint-free cloth.
- Do not use any cleaners with chemicals, solvents or harsh abrasives.
- Do not put hot items directly on furniture surface.
- Do not place furniture in direct sunlight.
- Do not place furniture near heating or cooling vents.
- Do not write on furniture without a padded barrier to protect the surface.
- Do not place furniture outside. For indoor use only.
- Any liquid spilled on the table should be cleaned up immediately using a damp cloth.
- Avoid rubbing or scratching the surface with rough or abrasive objects.

PLEASE KEEP INSTRUCTIONS FOR FUTURE REFERENCE.