

**WARNING:**

This fixture is intended for installation in accordance with the National Electrical Code (NEC) and all local code specifications. If you are not familiar with code requirements, installation by a certified electrician is recommended.

**CAUTION:** To prevent shock, only plug in lamp after lamp assembly is complete.

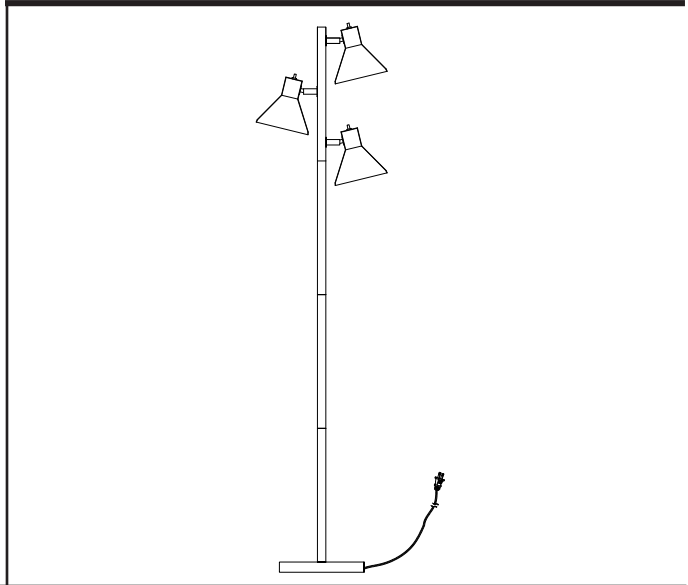
**WARNING:** This portable lamp has a polarized plug (one blade is wider than the other). As a safety feature, this plug will fit in a polarized outlet only one way. If the plug does not fit fully in the outlet, reverse the plug. If it still does not fit, contact a qualified electrician. Never use with an extension cord unless plug can be fully inserted. Do not attempt to work around this safety feature.

Before assembly, remove all parts and part packages from box. If anything is missing, please contact the retailer from which the product was purchased.



ANY QUESTIONS CALL: 800-613-3261  
M-F 8:00AM-6:00PM ET

ITEM#: S019-7279



1. Pull lamp cord from lamp base (A). Make sure lamp cord is pulled taut.
2. Thread bottom column (B) of lamp body onto threaded pipe on top of lamp base (A). Keep lamp cord pulled taut.  
**CAUTION:** DO NOT pinch lamp cord between bottom column (B) and lamp base (A).
3. Thread middle column (C) of lamp body into top of bottom column (B). Keep lamp cord pulled taut.  
**CAUTION:** DO NOT pinch lamp cord between middle column (C) and bottom column (B).
4. Thread top column (D) of lamp body into top of middle column (C). Keep lamp cord pulled taut.  
**CAUTION:** DO NOT pinch lamp cord between top column (D) and middle column (C).
5. Thread light assembly (E) into top column (D). Keep lamp cord pulled taut.
6. Slip hole in top of shade (F) over socket (H). Screw socket ring (G) onto socket (H). DO NOT over tighten. Repeat this step for each shade (F).
7. Insert recommended bulbs (not included) into sockets. **WARNING:** Verify correct bulb wattage marked on socket of lamp. DO NOT exceed maximum bulb wattage.

