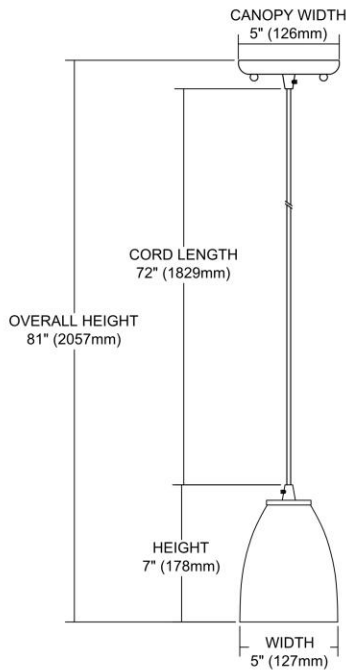
	<b>ITEM #:</b>	10466/1
	<b>UPC</b>	748119084275
	<b>Description</b>	Sandstorm 1-Light Mini Pendant in Satin Nickel with Off-white Glass
	<b>Finish</b>	Satin Nickel
	<b>Materials</b>	Glass, Metal
	<b>Brand</b>	ELK Lighting
	<b>Collection</b>	Sandstorm
	<b>Category</b>	Indoor Lighting
	<b>Type</b>	Mini Pendant

ITEM DIMENSIONS				RATINGS & SPECIFICATIONS				
<b>Width</b>	5 inches			<b>Safety Rating</b>	N/A		<b>Certification</b>	N/A
<b>Depth</b>	5 inches			<b>ADA Compliant</b>	N/A		<b>Voltage</b>	N/A
<b>Height</b>	7 inches			<b>BULBS / SOCKETS</b>				
<b>Weight</b>	1 pounds			<b>Quantity</b>	1	<b>Wattage</b>	60 watts	
ADDITIONAL DIMENSIONS				<b>Included</b>	No		<b>Type</b>	A19 (E26 Medium Base)
<b>Backplate / Canopy</b>	33x17			<b>Other</b>	N/A			
<b>HCWO</b>	N/A			CHAIN / CORD INFORMATION				
<b>Min. Extension</b>	N/A			<b>Chain</b>	N/A		<b>Cord</b>	N/A
<b>Max. Extension</b>	N/A			SHADE / GLASS DETAILS				
OVERALL HEIGHT				<b>Shade/Glass Description</b>	Off-white Glass			
<b>Min.</b>	N/A		<b>Max.</b>	N/A				
EXTENSION ROD(S)				<b>Width</b>	5 inches		<b>Height</b>	N/A
N/A				<b>Width at Top</b>	N/A		<b>Width at Bottom</b>	N/A



Rev. 5/9/2019