

Candela LED Outdoor

1230 - Small Sconce

1231 - Large Sconce

Project Name _____

Fixture Type _____

Quantity _____

Norwell | Lighting

I L E X

Custom Metalcraft

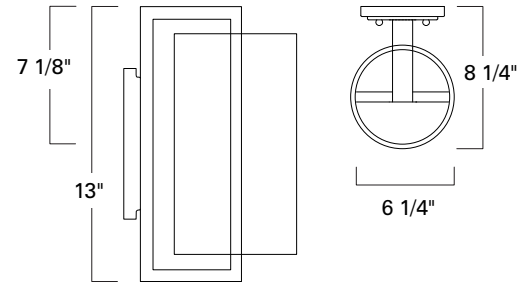


Candela Large Sconce
1230-MB-SE

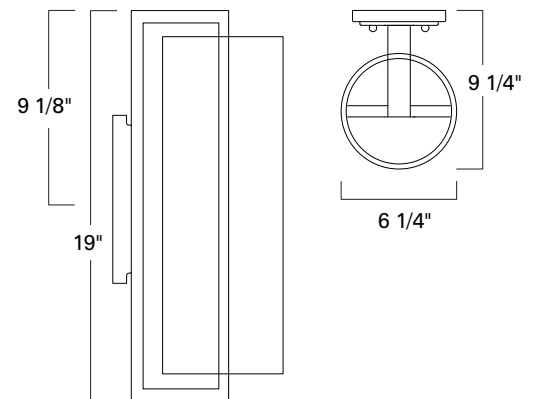


Candela Large Sconce
1231-MB-SE

1230 - Small Sconce



1231 - Large Sconce



LED

Product Name / Model / Dimensions					Finish Options	Glass	Lamping Options
Candela Small - 1230 Candela Large - 1231					Standard Matte Black / MB	Standard Seedy Glass / SE 1230 Size: 10 1/2 H X 6 W 1231 Size: 16 H X 6 W	Standard LED 1230 - 900lm, 3000K CCT 90 CRI, 10.8 Watts non-dimmable 1231 - 1440lm, 3000K CCT 90 CRI, 16 Watts non-dimmable
	Height	Width	Projection	TT0*			
1230	13"	6 1/4"	8 1/4"	7 1/8"			
1231	19"	6 1/4"	8 1/4"	9 1/8"			
Backplate 6" H x 5" W *Top of fixture to center point of junction box.							

Wet Location, Outdoor Rated and UL/ETL Listed

REV-3-2020

DISCLAIMER:

Norwell Lighting and its companies, ILEX Architectural Lighting and Custom Metalcraft reserve the right to change specifications related to its product at anytime. USA Made indicates product is manufactured in East Taunton, Massachusetts facility. Phone: 508-823-1751