

**Matrix Sconce LED
Indoor/Outdoor**

1235

Project Name _____

Fixture Type _____

Quantity _____

Norwell | Lighting

I L E X

Custom Metalcraft

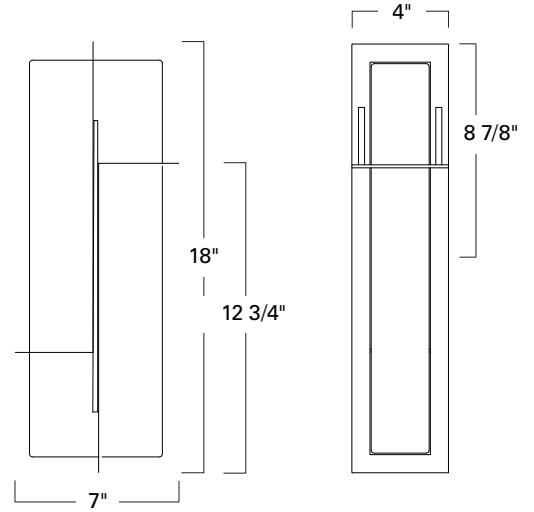


Matrix Sconce
1235-MB-AC

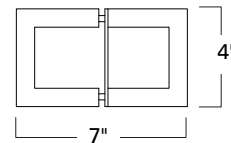


Matrix Sconce
1235-AG-AC

1235



Top view



Product Name / Model / Dimensions					Finish Options	Diffuser	Lamping Options
Matrix Indoor/Outdoor Sconce - 1235					Standard Aged Brass / AG Matte Black / MB	Standard Matte Acrylic / AC	Standard 1000lm, 3000K CCT 80 CRI, 12 Watts 120v non-dimmable
	Height	Width	Projection	TTO*			
1235	18"	7"	4"	8 7/8"			

*Top of fixture to center point of junction box

Wet Location, Outdoor Rated and UL/ETL Listed

REV-1-2022

DISCLAIMER:

Norwell Lighting and its companies, ILEX Architectural Lighting and Custom Metalcraft reserve the right to change specifications related to its product at anytime. USA Made indicates product is manufactured in East Taunton, Massachusetts facility. Phone: 508-823-1751