

Oak Park
Outdoor/Indoor
 Left and or Right Sconce
 1270

Project Name _____

Fixture Type _____

Quantity _____

Norwell | Lighting

I L E X

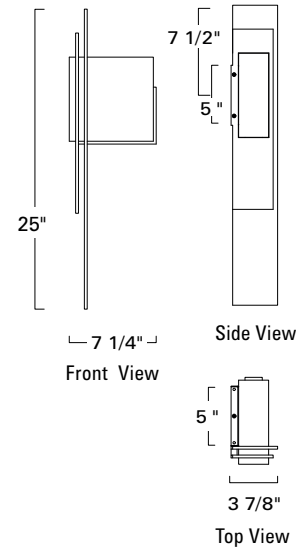
Custom Metalcraft



Oak Park
 Bracket left
 1270-MB-AC

Oak Park
 Bracket right
 1270-MB-AC

1270



LED

Product Name / Model / Dimensions				Finish Options	Diffuser	Lamping Options
Oak Park Sconce - 1270				Standard Matte Black / MB	Standard Acrylic / AC	Standard LED 175 lm emitted, 3000K CCT, 90 CRI, 7 Watts, 120v, ELV & Triac Dimming
Height	Width	Projection	TTO*			
25"	7.1/4"	3.7/8"	7 1/2"			
Backplate 5" H X 5" W						

Wet Location, Outdoor Rated and UL/ETL Listed, *Top of fixture to center point of junction box.

1-2022

DISCLAIMER:

Norwell Lighting and its companies, ILEX Architectural Lighting and Custom Metalcraft reserve the right to change specifications related to its product at anytime. USA Made indicates product is manufactured in East Taunton, Massachusetts facility. Phone: 508-823-1751