

# Cottage Onion

1323  
1324  
1321

Project Name \_\_\_\_\_

Fixture Type \_\_\_\_\_

Quantity \_\_\_\_\_

Norwell Lighting

I L E X

Custom Metalcraft



Cottage Onion Small  
1323-BR-SE

Cottage Onion Small  
1323-BR-CL



Cottage Onion Medium  
1324-BL-CL

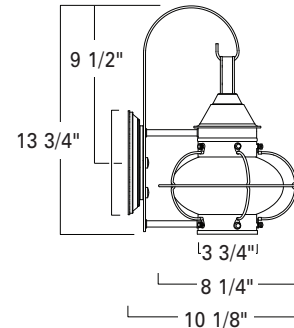


Cottage Post  
1321-BL-SE

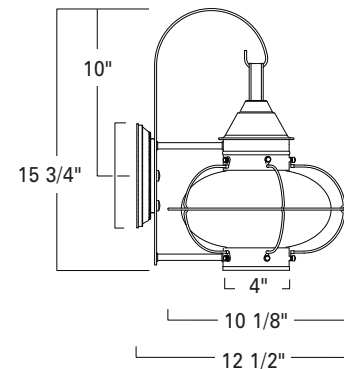


Cottage Post  
1321-BL-CL

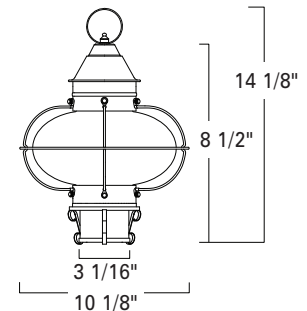
1323



1324



1321



LED

Product Name / Model / Dimensions					Finish Options	Glass Options	Lamping Options
Cottage Onion Small - 1323					<b>Standard</b> Black / BL Bronze / BR	<b>Standard</b> Clear / CL Seedy / SE	<b>Standard</b> Incandescent (1) 100 Watt Edison
Cottage Onion Medium - 1324							
Cottage Onion Post - 1321							
	Height	Width	Projection	TTO			
1323	13.75"	8.25"	10.125"	9.50"			
1324	15.75"	10.625"	12.50"	10.00"			
1321	14.625"	10.625"					
Backplate Sconce 6.25" Diameter							

Wet Location, Outdoor Rated and UL/ETL Listed

10-2020

**DISCLAIMER:**

Norwell Lighting and its companies, ILEX Architectural Lighting and Custom Metalcraft reserve the right to change specifications related to its product at anytime. USA Made indicates product is manufactured in East Taunton, Massachusetts facility. Phone: 508-823-1751