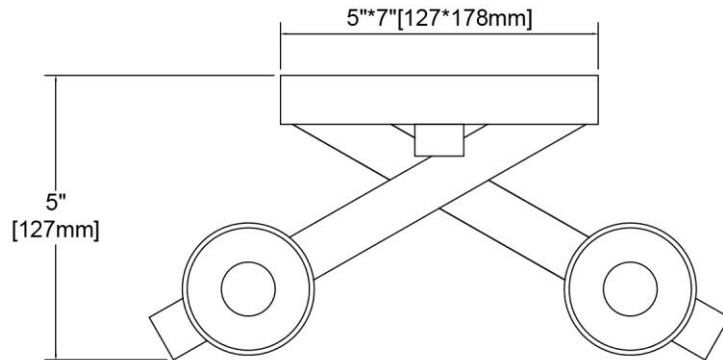
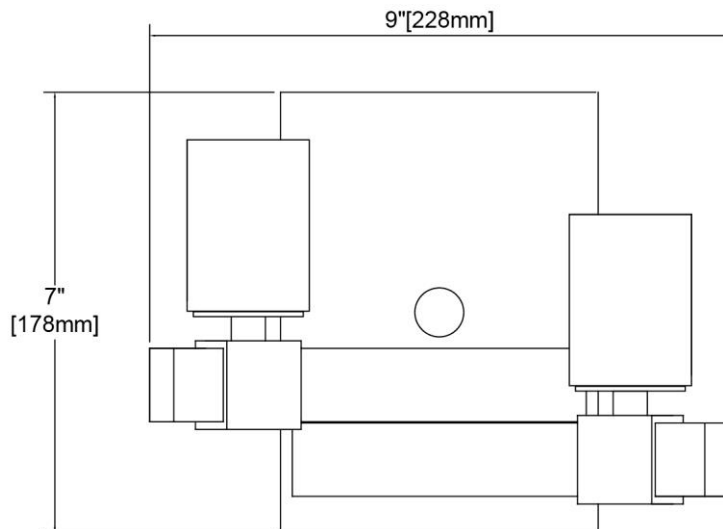




ITEM #:	15461/2
UPC	748119139883
Description	Stone Manor 2-Light Sconce in Aspen and Matte Black
Finish	Aspen, Matte Black
Materials	Steel, Stone
Brand	ELK Lighting
Collection	Stone Manor
Category	Indoor Lighting
Type	Sconce

ITEM DIMENSIONS				RATINGS & SPECIFICATIONS				
Width	9 inches			Safety Rating	ETL		Certification	Dry locations
Depth	5 inches			ADA Compliant	N/A		Voltage	120 volts
Height	7 inches			BULBS / SOCKETS				
Weight	3 pounds			Quantity	2	Wattage	60 watts	
ADDITIONAL DIMENSIONS				Included	No	Type	Torpedo (E12 Candelabra Base)	
Backplate / Canopy	5x7			Other	N/A			
HCWO	N/A			CHAIN / CORD INFORMATION				
Min. Extension	N/A			Chain	N/A	Cord	8 inches	
Max. Extension	N/A			SHADE / GLASS DETAILS				
OVERALL HEIGHT				Shade/Glass Description	No Shade/Glass			
Min.	N/A		Max.	N/A				
EXTENSION ROD(S)				Width	N/A		Height	N/A
N/A				Width at Top	N/A		Width at Bottom	N/A



Rev. 12/12/2019