

**Alden**  
1 Light Sconce  
2401

Project Name \_\_\_\_\_

Fixture Type \_\_\_\_\_

Quantity \_\_\_\_\_

Norwell | Lighting

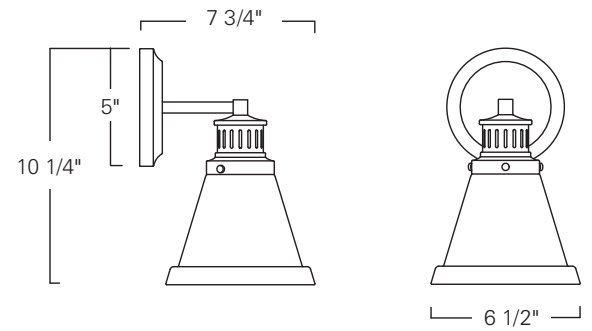
ILEX

Custom Metalcraft



2401-AN-CL

2401



2401-PN-MO



2 Light 2402



3 Light 2403

Product Name / Model / Dimensions				Finish Options	Diffuser	Lamping Options
<b>Alden 1 Light Sconce 2401</b>				<b>Standard</b>	<b>Standard</b>	<b>Standard</b> Incandescent 1-60 Watt Medium Base Edison
	Height	Width	Projection	Antique Brass / AN	Clear Glass / CL	
2401	10 1/4"	6 1/2"	7 3/4"	Polished Nickel/ PN	Matte Opal Glass / MO	
Backplate 5" diameter						

Damp Location and Rated UL/ETL Listed

REV-1-2023

**DISCLAIMER:**

Norwell Lighting and its companies, ILEX Architectural Lighting and Custom Metalcraft reserve the right to change specifications related to its product at anytime. USA Made indicates product is manufactured in East Taunton, Massachusetts facility. Phone: 508-823-1751