

Alden
1 Light Sconce
2401

Project Name _____

Fixture Type _____

Quantity _____

Norwell | Lighting

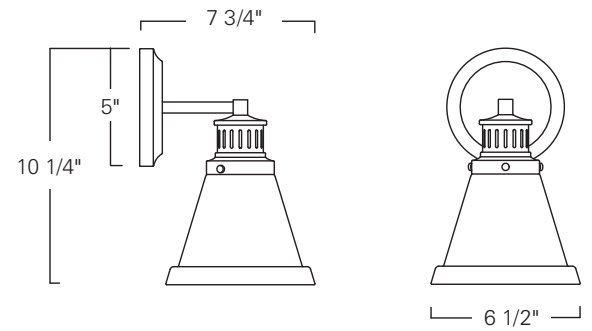
ILEX

Custom Metalcraft



2401-AN-CL

2401



2401-PN-MO



2 Light 2402



3 Light 2403

Product Name / Model / Dimensions				Finish Options	Diffuser	Lamping Options
Alden 1 Light Sconce 2401				Standard	Standard	Standard Incandescent 1-60 Watt Medium Base Edison
	Height	Width	Projection	Antique Brass / AN	Clear Glass / CL	
2401	10 1/4"	6 1/2"	7 3/4"	Polished Nickel/ PN	Matte Opal Glass / MO	
Backplate 5" diameter						

Damp Location and Rated UL/ETL Listed

REV-1-2023

DISCLAIMER:

Norwell Lighting and its companies, ILEX Architectural Lighting and Custom Metalcraft reserve the right to change specifications related to its product at anytime. USA Made indicates product is manufactured in East Taunton, Massachusetts facility. Phone: 508-823-1751