

**Lida**  
1 Light Sconce  
2611

Project Name \_\_\_\_\_

Fixture Type \_\_\_\_\_

Quantity \_\_\_\_\_

Norwell | Lighting

ILEX

Custom Metalcraft

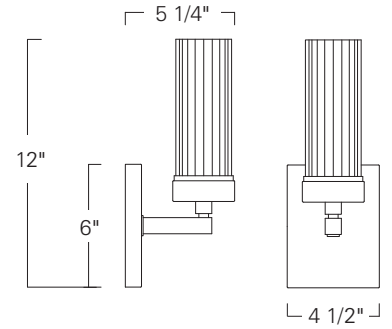


2611-CH-CL



2611-MB-MO

2611



2 Light 2612



3 Light 2613

Product Name / Model / Dimensions				Finish Options	Diffuser	Lamping Options
Lida 1 Light Sconce 2611				<b>Standard</b> Chrome / CH Matte Black / MB	<b>Standard</b> Clear Fluted Glass (CL)	<b>Standard</b> Incandescent 1-60 Watt Medium Base Edison T10 Recommended
	Height	Width	Projection			
2611	12"	4 1/2"	5 1/4"			
Backplate 6 H X 4 1/4 W						

Damp Location and Rated UL/ETL Listed

REV-1-2023

**DISCLAIMER:**

Norwell Lighting and its companies, ILEX Architectural Lighting and Custom Metalcraft reserve the right to change specifications related to its product at anytime. USA Made indicates product is manufactured in East Taunton, Massachusetts facility. Phone: 508-823-1751