

Lida
3 Light Sconce
2613

Project Name _____

Fixture Type _____

Quantity _____

Norwell | Lighting

ILEX

Custom Metalcraft

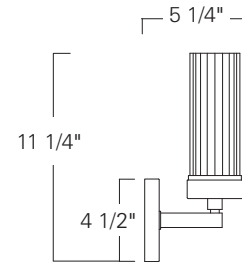
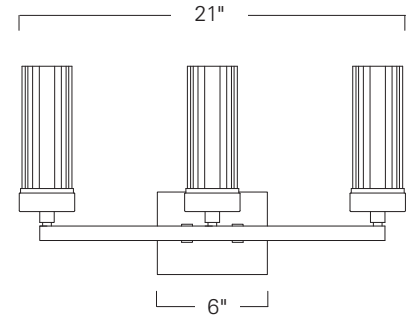


2613-CH-CL



2613-MB-MO

2613



1 Light 2611



2 Light 2612

Product Name / Model / Dimensions				Finish Options	Diffuser	Lamping Options
Lida 3 Light Sconce 2613				Standard Chrome / CH Matte Black / MB	Standard Clear Fluted Glass (CL)	Standard Incandescent 3-60 Watt Medium Base Edison T10 Recommended
	Height	Width	Projection			
2613	11 1/4"	21"	5 1/4"			
Backplate 4 1/4 H X 6 W						

Damp Location and Rated UL/ETL Listed

REV-1-2023

DISCLAIMER:

Norwell Lighting and its companies, ILEX Architectural Lighting and Custom Metalcraft reserve the right to change specifications related to its product at anytime. USA Made indicates product is manufactured in East Taunton, Massachusetts facility. Phone: 508-823-1751