

**Emma**  
Pendant  
4811

Project Name \_\_\_\_\_

Fixture Type \_\_\_\_\_

Quantity \_\_\_\_\_

Norwell | Lighting

ILEX

Custom Metalcraft

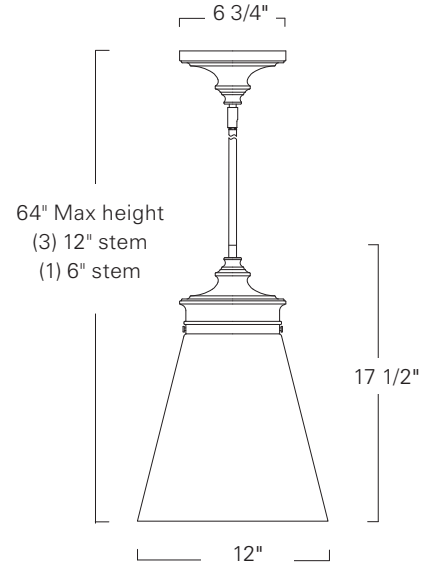


4811-AN-CL



4811-PN-CL

4811



4801

Product Name / Model / Dimensions				Finish Options	Diffuser	Lamping Options
<b>Emma Pendant 4811</b>				<b>Standard</b> Antique Brass / AN Polished Nickel / PN	<b>Standard</b> Clear Glass / CL  Glass Size: 12" H x 12"s W	<b>Standard</b> Incandescent 1-60 Watt Medium Base Edison G30 Recommended
	Body Height	Width	Overall Height			
4811	64"	12"	65" Max			
Product ships with (3) 12" stems and (1) 6" stem Canopy 6 3/4" diameter						

Damp Location and Rated UL/ETL Listed

REV-1-2023

**DISCLAIMER:**

Norwell Lighting and its companies, ILEX Architectural Lighting and Custom Metalcraft reserve the right to change specifications related to its product at anytime. USA Made indicates product is manufactured in East Taunton, Massachusetts facility. Phone: 508-823-1751