

FOR-SQUARE LED

5391

Project Name _____

Fixture Type _____

Quantity _____

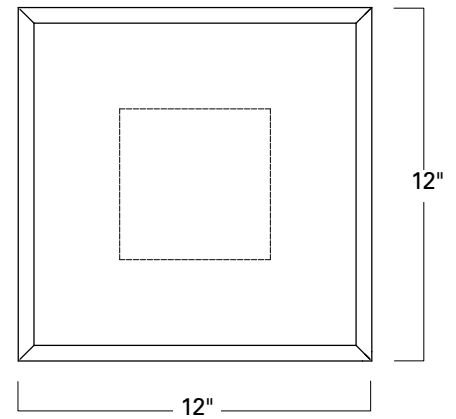
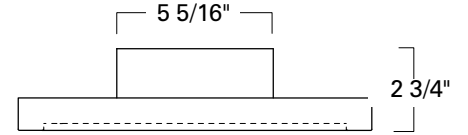
Norwell Lighting

I L E X

Custom Metalcraft



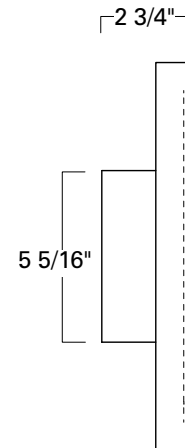
5391-SB-WV



5391-BN-WR



Shown as wall sconce



LED-ADA

Product Name / Model / Dimensions				Finish Options	Diffuser	Lamping Options
For-Square - 5391				Standard Brushed Nickel / BN	Standard Paper Wrinkle (WR)* White Resin	Standard LED 1500lm, 3000K, 90 CRI ELV & TRIAC Dimming 115v-230V
5391	Height 12"	Width 12"	Projection 2 3/4"			
Backplate 5 5/16" square Depth from ceiling 2 3/4"				Satin Brass / SB	Wave Pattern (WV)* White Resin	

Damp Location Rated and UL/ETL Listed

*NOTE: White Resin Diffuser is ONLY available in one pattern type for each each finish.

REV-2-2020

DISCLAIMER:

Norwell Lighting and its companies, ILEX Architectural Lighting and Custom Metalcraft reserve the right to change specifications related to its product at anytime. USA Made indicates product is manufactured in East Taunton, Massachusetts facility. Phone: 508-823-1751