
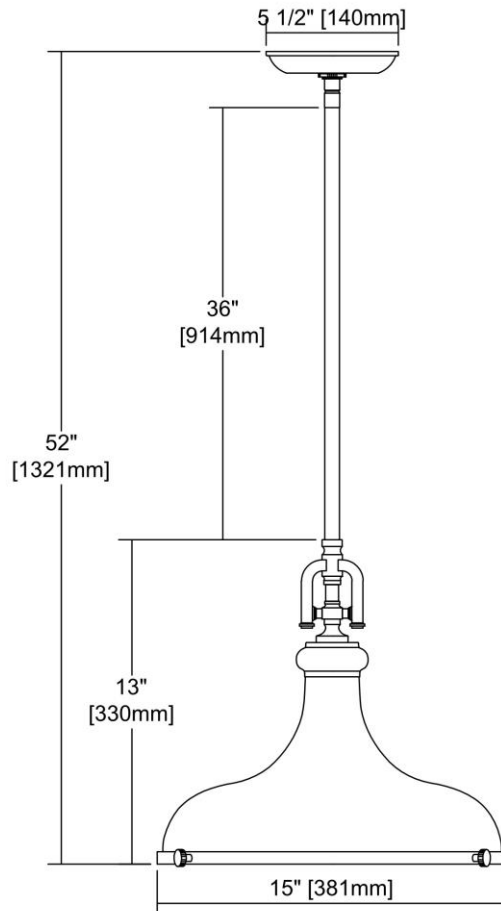


| | | |
|---|--------------------|--|
|  | ITEM #: | 57041/1 |
| | UPC | 748119090153 |
| | Description | Rutherford 1-Light Pendant in Polished Nickel with Gloss White Shade |
| | Finish | Gloss White, Polished Nickel |
| | Materials | Metal |
| | Brand | ELK Lighting |
| | Collection | Rutherford |
| | Category | Indoor Lighting |
| | Type | Pendant |

| ITEM DIMENSIONS | | | | RATINGS & SPECIFICATIONS | | | | |
|------------------------------|-----------|--|-------------|---------------------------------|--------------------------------|----------------|------------------------|-----------------------|
| Width | 15 inches | | | Safety Rating | UL | | Certification | N/A |
| Depth | 8 inches | | | ADA Compliant | N/A | | Voltage | N/A |
| Height | 13 inches | | | BULBS / SOCKETS | | | | |
| Weight | 6 pounds | | | Quantity | 1 | Wattage | 100 watts | |
| ADDITIONAL DIMENSIONS | | | | Included | No | | Type | A19 (E26 Medium Base) |
| Backplate / Canopy | 5.5x5.5 | | | Other | N/A | | | |
| HCWO | N/A | | | CHAIN / CORD INFORMATION | | | | |
| Min. Extension | N/A | | | Chain | N/A | | Cord | N/A |
| Max. Extension | N/A | | | SHADE / GLASS DETAILS | | | | |
| OVERALL HEIGHT | | | | Shade/Glass Description | Diffuser and Gloss White Shade | | | |
| Min. | N/A | | Max. | N/A | | | | |
| EXTENSION ROD(S) | | | | Width | 15 inches | | Height | N/A |
| Rods: 1-6, 1-12, 1-18 | | | | Width at Top | N/A | | Width at Bottom | N/A |



Rev. 5/9/2019