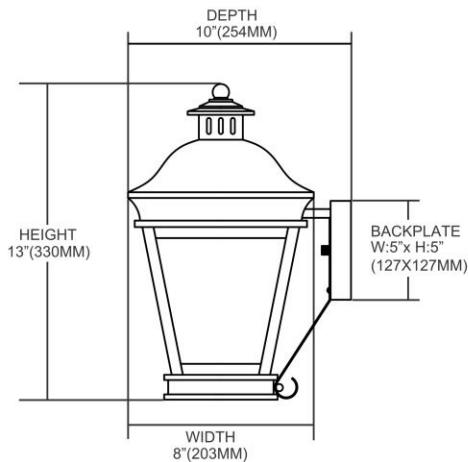




<b>ITEM #:</b>	5720-C
<b>UPC</b>	748119029733
<b>Description</b>	Landings 1-Light Outdoor Wall Lantern in Charcoal
<b>Finish</b>	Charcoal
<b>Materials</b>	Brass, Glass
<b>Brand</b>	ELK Lighting
<b>Collection</b>	Landings
<b>Category</b>	Outdoor Lighting
<b>Type</b>	Sconce

ITEM DIMENSIONS				RATINGS & SPECIFICATIONS				
<b>Width</b>	8 inches			<b>Safety Rating</b>	N/A		<b>Certification</b>	N/A
<b>Depth</b>	9 inches			<b>ADA Compliant</b>	N/A		<b>Voltage</b>	N/A
<b>Height</b>	13 inches			BULBS / SOCKETS				
<b>Weight</b>	4 pounds			<b>Quantity</b>	1	<b>Wattage</b>	60 watts	
ADDITIONAL DIMENSIONS				<b>Included</b>	No		<b>Type</b>	A19 (E26 Medium Base)
<b>Backplate / Canopy</b>	N/A			<b>Other</b>	N/A			
<b>HCWO</b>	N/A			CHAIN / CORD INFORMATION				
<b>Min. Extension</b>	N/A			<b>Chain</b>	N/A		<b>Cord</b>	N/A
<b>Max. Extension</b>	N/A			SHADE / GLASS DETAILS				
OVERALL HEIGHT				<b>Shade/Glass Description</b>	Charcoal Lantern Style Shade with Clear Rippled Glass			
<b>Min.</b>	N/A		<b>Max.</b>	N/A				
EXTENSION ROD(S)				<b>Width</b>	N/A		<b>Height</b>	N/A
N/A				<b>Width at Top</b>	N/A		<b>Width at Bottom</b>	N/A



Rev. 5/9/2019