

Rohe Single Sconce  
6511  
Rohe Double Sconce  
6512

Project Name \_\_\_\_\_  
Fixture Type \_\_\_\_\_  
Quantity \_\_\_\_\_

Norwell Lighting

ILEX

Custom Metalcraft



6511-BS-CL

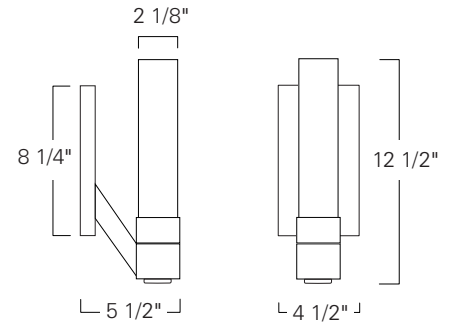


6512-BS-CL

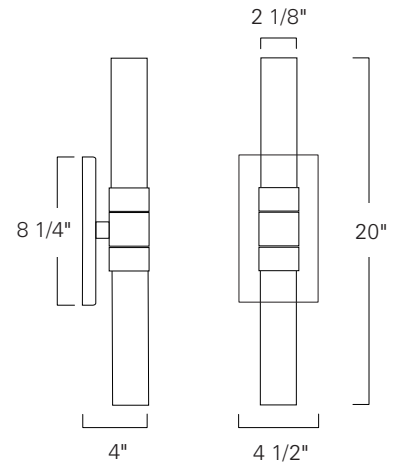


6512-AN-CL

6511



6512



6512 Rohe double sconce mounts vertical or horizontal



6518 Rohe Chandelier

Product Name / Model / Dimensions				Finish Options	Diffuser	Lamping Options
Rohe Single Sconce 6511, Rohe Double Sconce 6512				<b>Standard</b> Black Sand / BS Antique Brass / AN	<b>Standard</b> Clear Glass / CL  Glass Size 6511: 2 1/8" W x 10" H Glass Size 6512: 2 1/8" W x 8 7/8" H	<b>Standard</b> 6511; 1-60 Watt E12 Candelabra  6512; 2-60 Watt E12 Candelabra
	Height	Width	Projection			
6511	12 1/2"	4 1/2"	5 1/2"			
6512	20"	4 1/2"	4"			
Backplate 8 1/4" x 4 1/2" x 3/4" depth						

Damp Location and Rated UL/ETL Listed

REV-12-2022

**DISCLAIMER:**

Norwell Lighting and its companies, ILEX Architectural Lighting and Custom Metalcraft reserve the right to change specifications related to its product at anytime. USA Made indicates product is manufactured in East Taunton, Massachusetts facility. Phone: 508-823-1751