

Rohe Chandelier
6518

Project Name _____

Fixture Type _____

Quantity _____

Norwell Lighting

ILEX

Custom Metalcraft

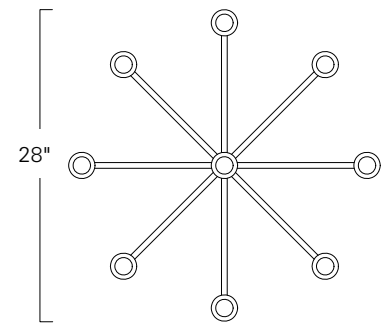
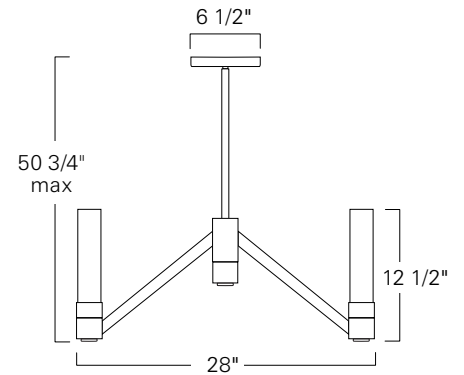


6518-AN-CL



6518-BS-CL

6518



6511



6512

Product Name / Model / Dimensions					Finish Options	Diffuser	Lamping Options
Rohe Single Sconce 6511, Rohe Double Sconce 6512					Standard Black Sand / BS Aged Brass / AN	Standard Clear Glass / CL	Standard 6518; 8 - 60 Watt E12 Candelabra T5 style
	Body Height	Diameter	Overall Height*	Canopy			
6518	20 3/4"	28"	50 3/4" max	6 1/2"			
*Ships with 2 - 6" stems and 2 - 12" stems							

Damp Location and Rated UL/ETL Listed

REV 9-2022

DISCLAIMER:

Norwell Lighting and its companies, ILEX Architectural Lighting and Custom Metalcraft reserve the right to change specifications related to its product at anytime. USA Made indicates product is manufactured in East Taunton, Massachusetts facility. Phone: 508-823-1751