

**Dillon**  
Swing Arm Sconce  
6661

Project Name \_\_\_\_\_

Fixture Type \_\_\_\_\_

Quantity \_\_\_\_\_

Norwell | Lighting

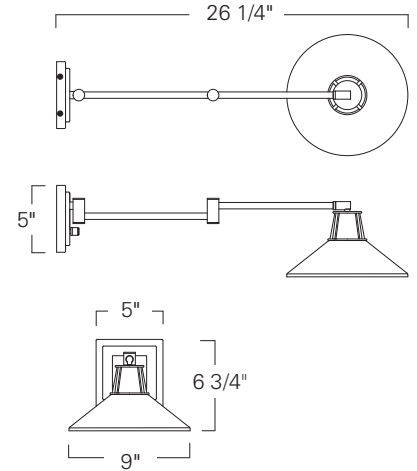
ILEX

Custom Metalcraft



6661-AN-CL  
Hardwired

6661



6661-MB-CL  
Plug-in

Product Name / Model / Dimensions				Finish Options	Diffuser	Lamping Options
Dillon Swing Arm Sconce 6661				<b>Standard</b> Antique Brass / AN Matte Black / MB	<b>Standard</b> Clear Glass / CL  Glass Size 2 3/4" H x 9" W	<b>Standard</b> Incandescent 1-60 Watt Medium Base Edison G5 Recommended
	Body Height	Width	Projection			
6661	6 3/4"	9"	Swing arm extends to 26 1/4"			
Backplate 5 H X 5 W						

Damp Location and Rated UL/ETL Listed

REV-1-2023

**DISCLAIMER:**

Norwell Lighting and its companies, ILEX Architectural Lighting and Custom Metalcraft reserve the right to change specifications related to its product at anytime. USA Made indicates product is manufactured in East Taunton, Massachusetts facility. Phone: 508-823-1751